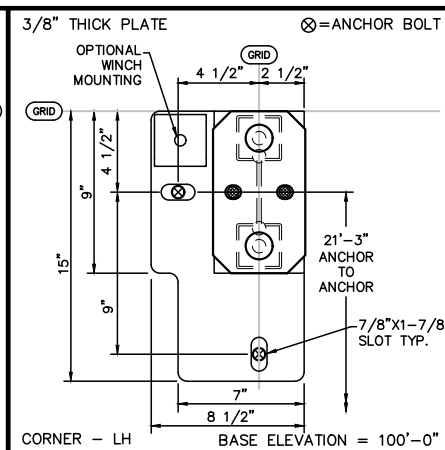
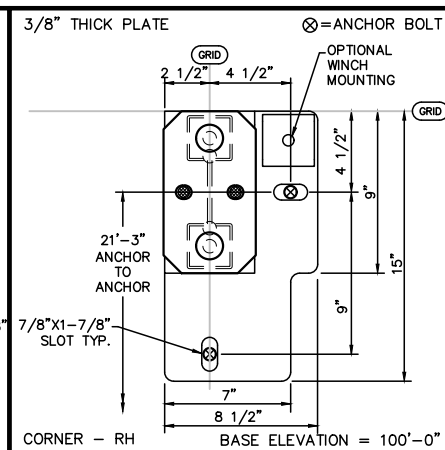
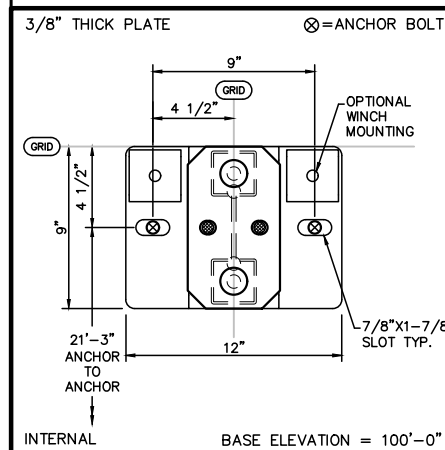
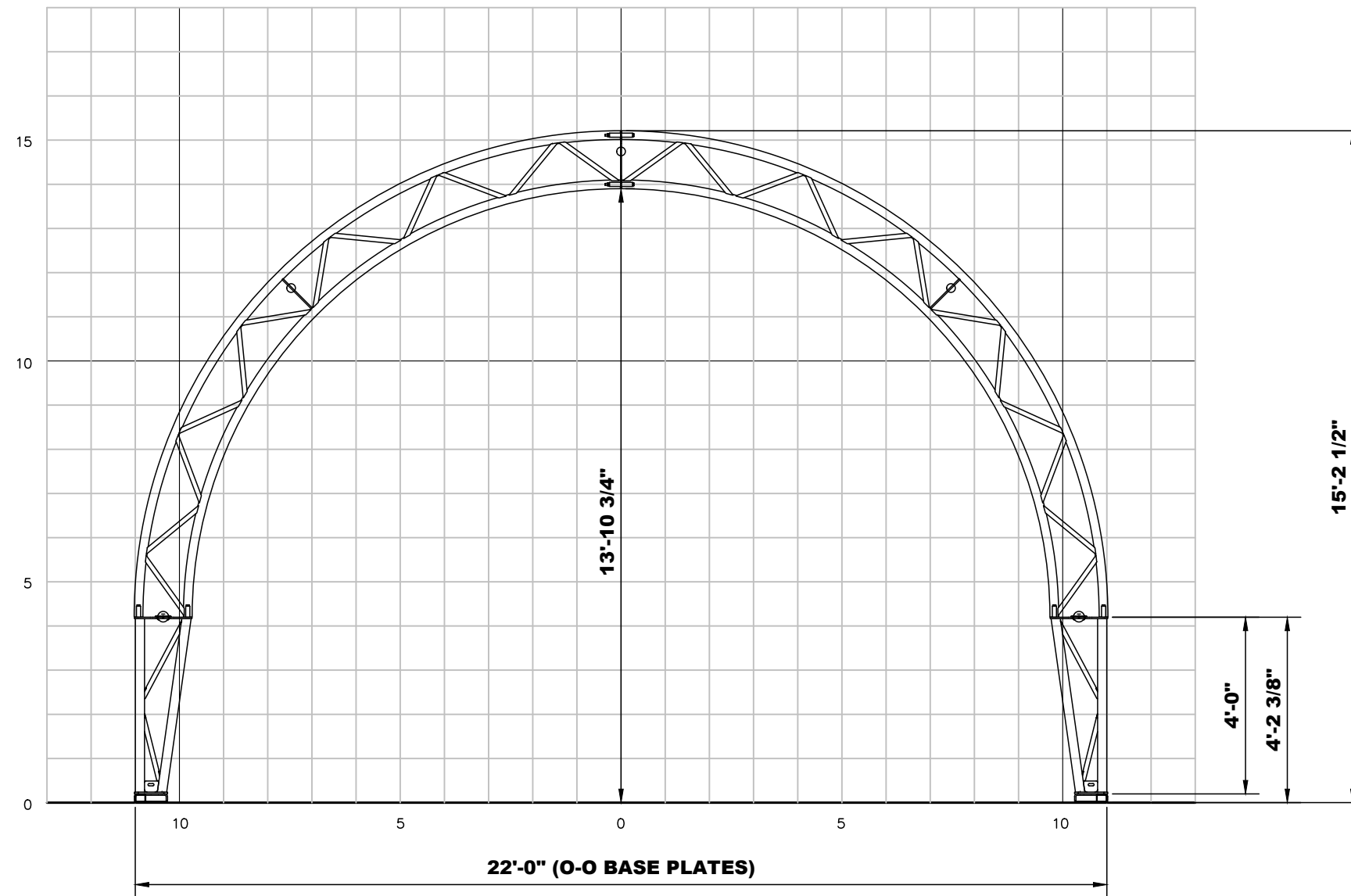


T:\Engineering\Grid Profiles\2018\ACAD\Grid Profiles\CC\CC 4' STEEL LEG PROFILES.dwg
 Apr 16, 2019 - 6:16pm



Calhoun Superstructure Ltd. 3702 Bruce Rd #10 Tara, Ontario, Canada M9H 2N0 800-265-3994 www.calhounsuperstructure.com		
NAME	DATE	
R D B	14/12/2018	
CHECKED	A G B 14/12/2018	
ENG. APPR.		
PROPRIETARY AND CONFIDENTIAL THE INFORMATION CONTAINED IN THIS DRAWING IS THE SOLE PROPERTY OF CALHOUN SUPERSTRUCTURE. ANY REPRODUCTION IN PART OR AS A WHOLE WITHOUT THE WRITTEN PERMISSION OF CALHOUN SUPERSTRUCTURE IS PROHIBITED.		
No.	DESCRIPTION	DATE
REVISION / ISSUE		

CALHOUN

**22' CC PROFILE
ON 4'-0" STEEL LEG**

SIZE: **D** DWG. NO. **CC-22**

SCALE: N T S SHEET 2 OF 7