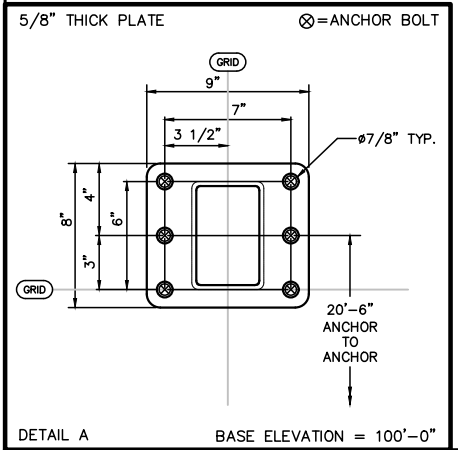
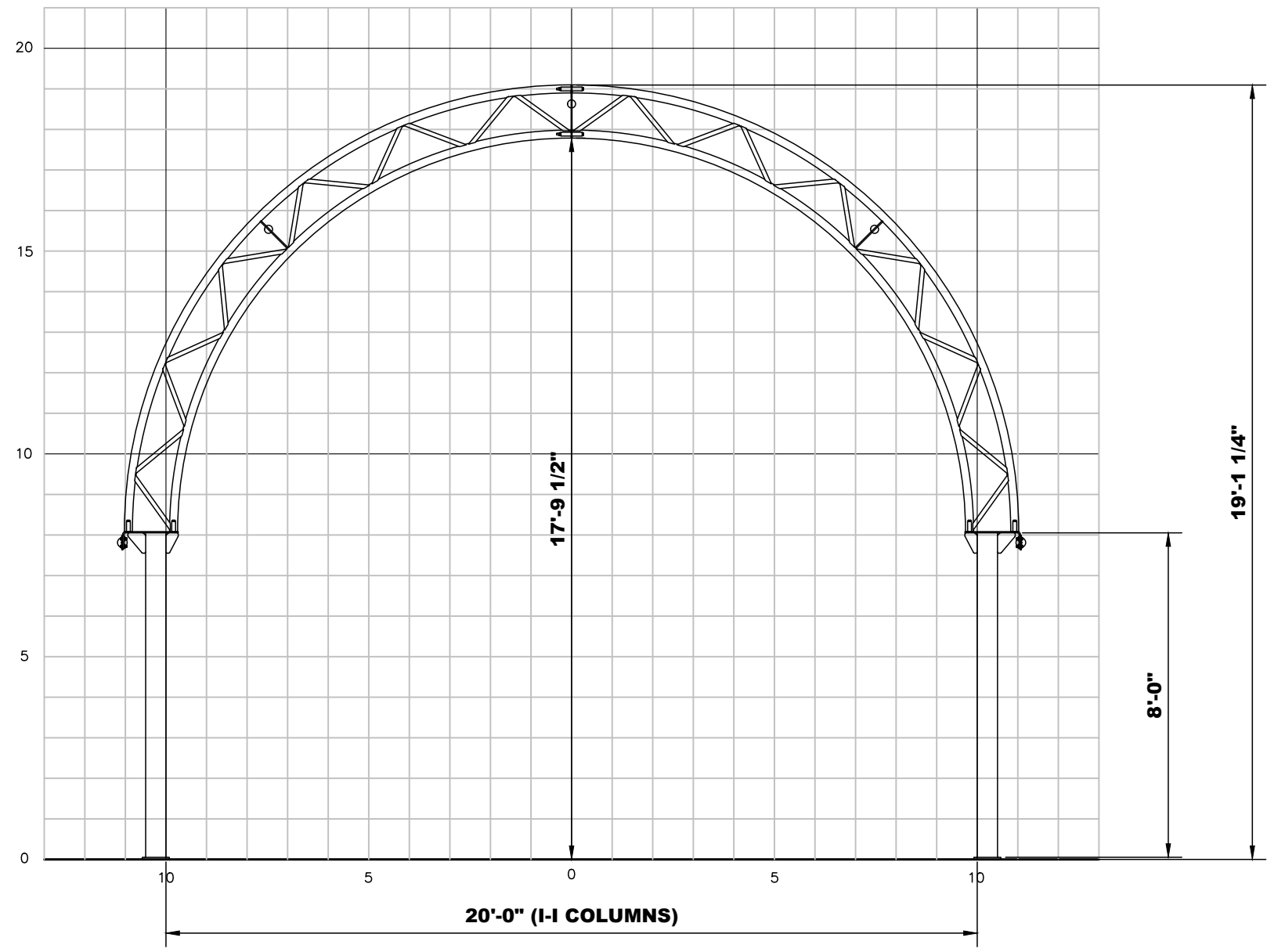


T:\Engineering\Grid Profiles\2018\ACAD\Grid Profiles\CC\CC 8' HSS LEG PROFILES.dwg
 Apr 22, 2019 - 4:05pm



Calhoun Superstructure Ltd. 3702 Bruce Rd #10 Tara, Ontario, Canada N0H 2N0 800-265-3994 www.calhounsuperstructure.com		
	NAME	DATE
	L T C	22/04/2019
	A G B	22/04/2019
	ENG. APPR.	
PROPRIETARY AND CONFIDENTIAL THE INFORMATION CONTAINED IN THIS DRAWING IS THE SOLE PROPERTY OF CALHOUN SUPERSTRUCTURE. ANY REPRODUCTION IN PART OR AS A WHOLE WITHOUT THE WRITTEN PERMISSION OF CALHOUN SUPERSTRUCTURE IS PROHIBITED		
No.	DESCRIPTION	DATE
REVISION / ISSUE		

**22' CC PROFILE
ON 8'-0" HSS LEG**

SIZE: **D** DWG. NO. **CC-22**

SCALE: N T S SHEET 2 OF 7