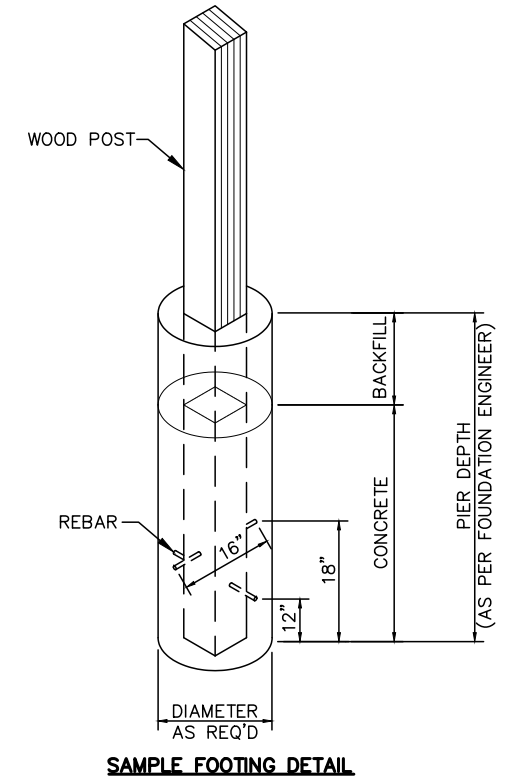
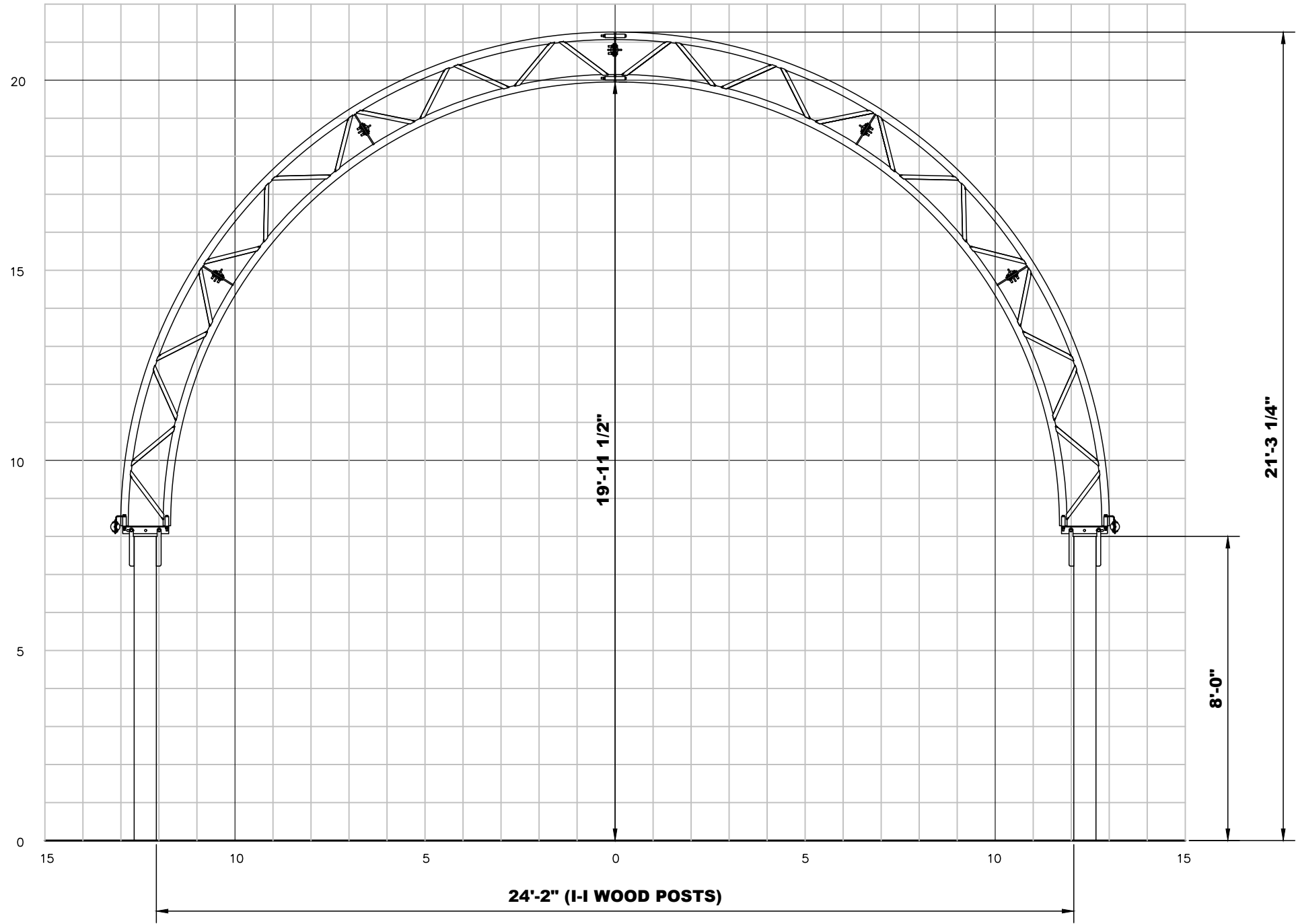


C:\Users\campbell\appdata\local\temp\AcPublish_14380\CC_8' WOOD POST_PROFILES.dwg
 Oct 03, 2019 3:16pm



Calhoun Superstructure Ltd. 3702 Bruce Rd #10 Tara, Ontario, Canada N0H 2N0 800-265-3994 www.calhounsuperstructure.com		
NAME	DATE	
L T C	03/10/2019	DRAWN
A G B	03/10/2019	CHECKED
		ENG. APPR.
PROPRIETARY AND CONFIDENTIAL THE INFORMATION CONTAINED IN THIS DRAWING IS THE SOLE PROPERTY OF CALHOUN SUPERSTRUCTURE. ANY REPRODUCTION IN PART OR AS A WHOLE WITHOUT THE WRITTEN PERMISSION OF CALHOUN SUPERSTRUCTURE IS PROHIBITED		
No.	DESCRIPTION	DATE
REVISION / ISSUE		

CALHOUN

**26' CC PROFILE
ON 8'-0" WOOD POST**

SIZE: **D** DWG. NO. **CC-26**

SCALE: N T S SHEET 1 OF 1