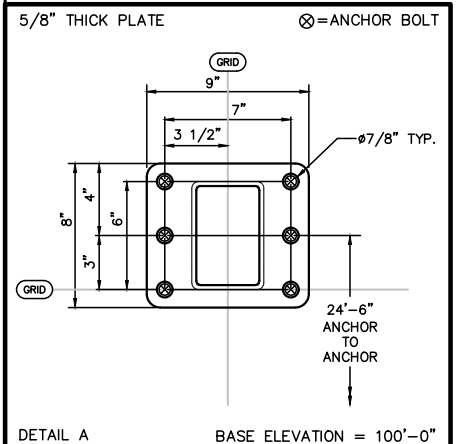
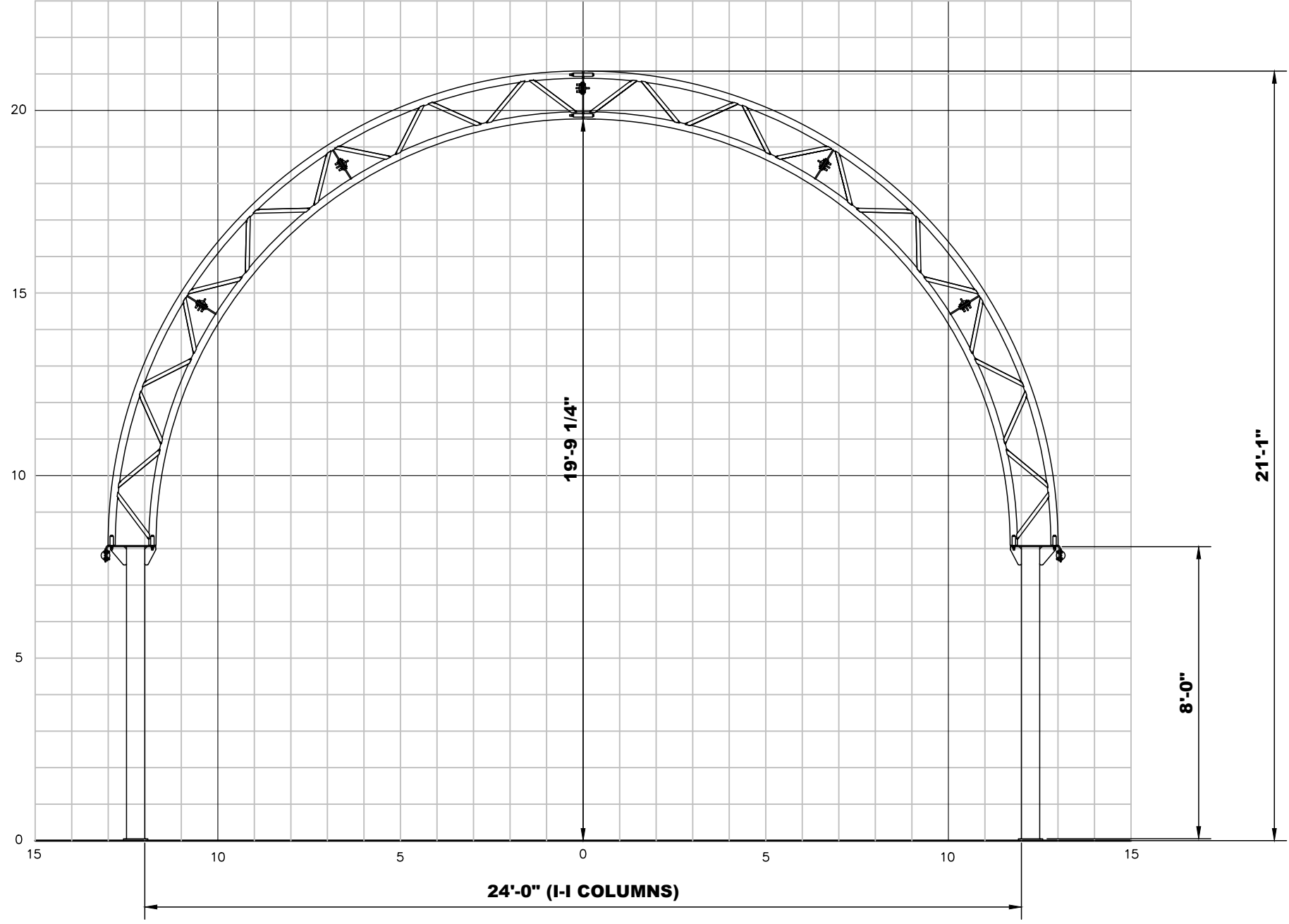


T:\Engineering\Grid Profiles\2018\ACAD\Grid Profiles\CC\CC 8' HSS LEG PROFILES.dwg  
 Apr 22, 2019 - 4:05pm



No.		DESCRIPTION	DATE
REVISION / ISSUE			
Calhoun Superstructure Ltd. 3702 Bruce Rd #10 Tara, Ontario, Canada M9H 2N0 800-265-3994 www.calhounsuperstructure.com			
	NAME	DATE	
	L T C	22/04/2019	
	A G B	22/04/2019	
	ENG. APPR.		
PROPRIETARY AND CONFIDENTIAL THE INFORMATION CONTAINED IN THIS DRAWING IS THE SOLE PROPERTY OF CALHOUN SUPERSTRUCTURE. ANY REPRODUCTION IN PART OR AS A WHOLE WITHOUT THE WRITTEN PERMISSION OF CALHOUN SUPERSTRUCTURE IS PROHIBITED			

**CALHOUN**

**26' CC PROFILE  
ON 8'-0" HSS LEG**

SIZE: **D** DWG. NO. **CC-26**

SCALE: N T S SHEET 3 OF 7