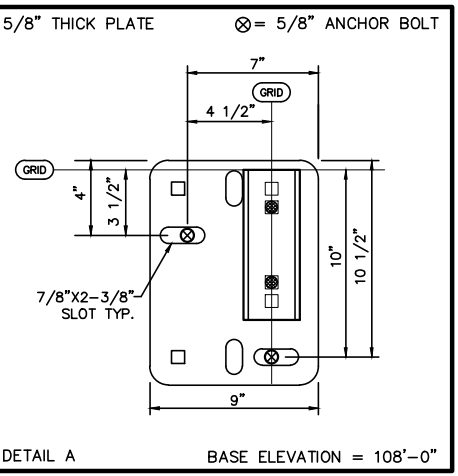
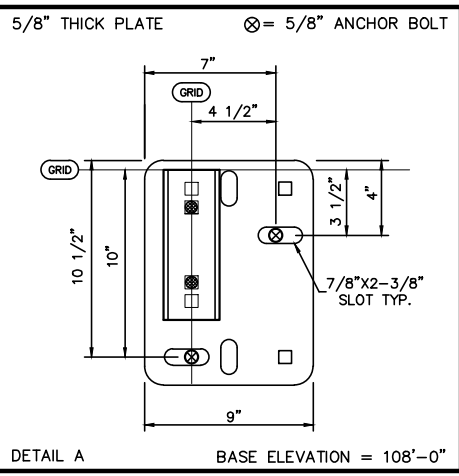
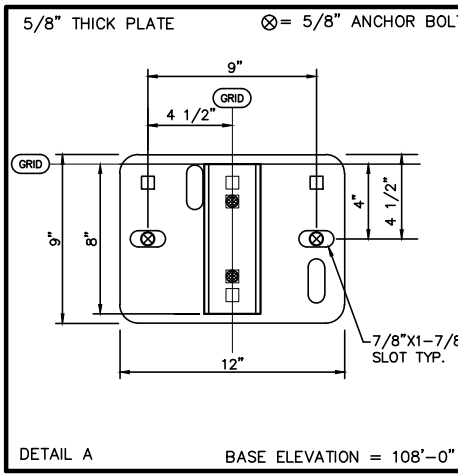
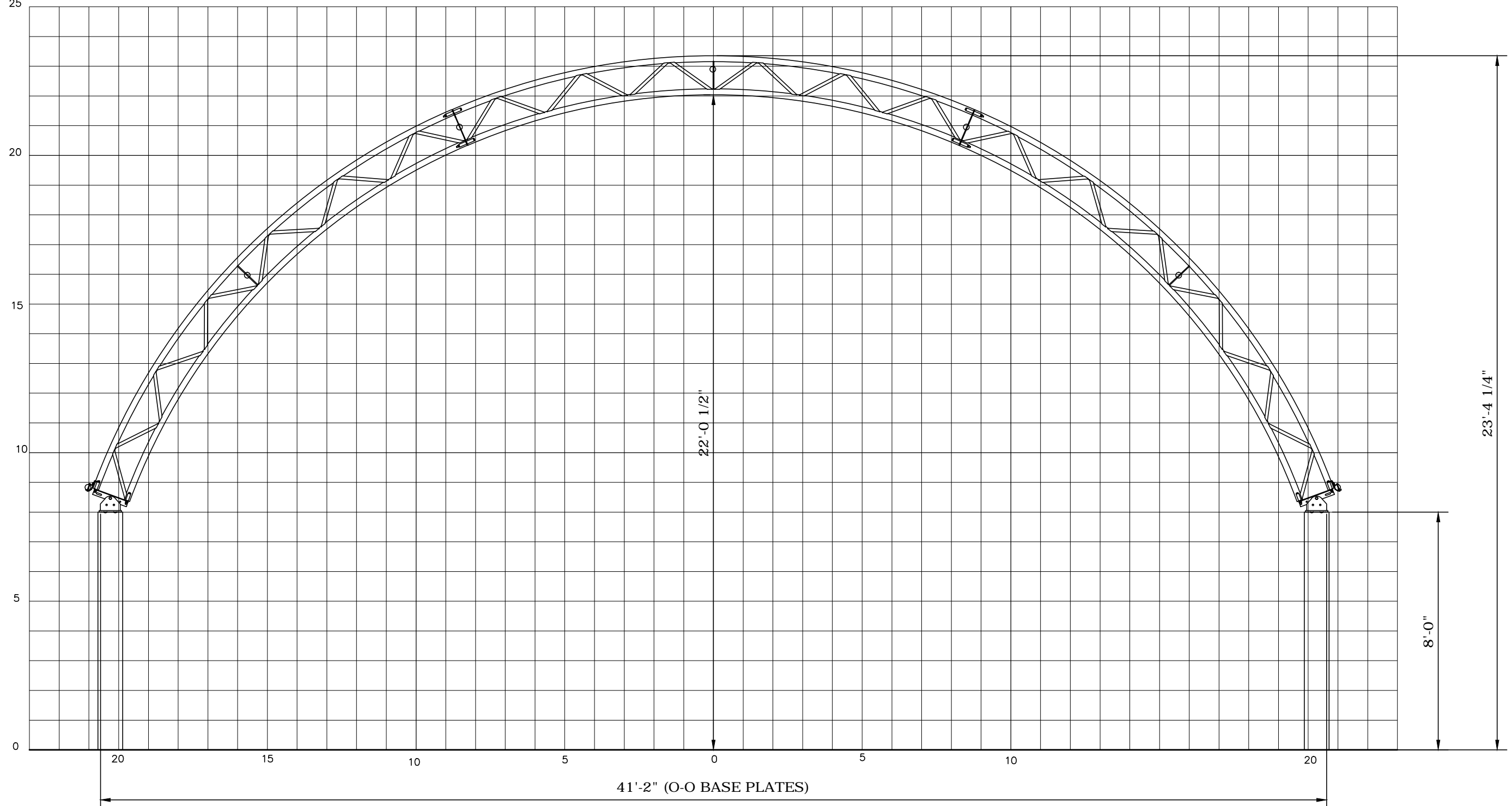


Y:\DESIGN\AUTOCAD\PROFILE\2014\PROFILES\42 CC CONC PROFILE.dwg  
 Mar 30, 2015 - 2:05pm



Calhoun Superstructure Ltd. 3702 Bruce Rd #10 Tara, Ontario, Canada NOH 2N0 800-265-3994 www.calhounsuperstructure.com		
	NAME	DATE
	L G G	13/06/2014
	CHECKED	R W H 13/06/2014
	ENG. APPR.	
PROPRIETARY AND CONFIDENTIAL THE INFORMATION CONTAINED IN THIS DRAWING IS THE SOLE PROPERTY OF CALHOUN SUPERSTRUCTURE. ANY REPRODUCTION IN PART OR AS A WHOLE WITHOUT THE WRITTEN PERMISSION OF CALHOUN SUPERSTRUCTURE IS PROHIBITED		
No.	DESCRIPTION	DATE
	REVISION / ISSUE	

**CALHOUN**

42' CC PROFILE  
ON CONCRETE WALL

SIZE: **D** DWG. NO. **CC-42**

SCALE: N T S SHEET 1 OF 1