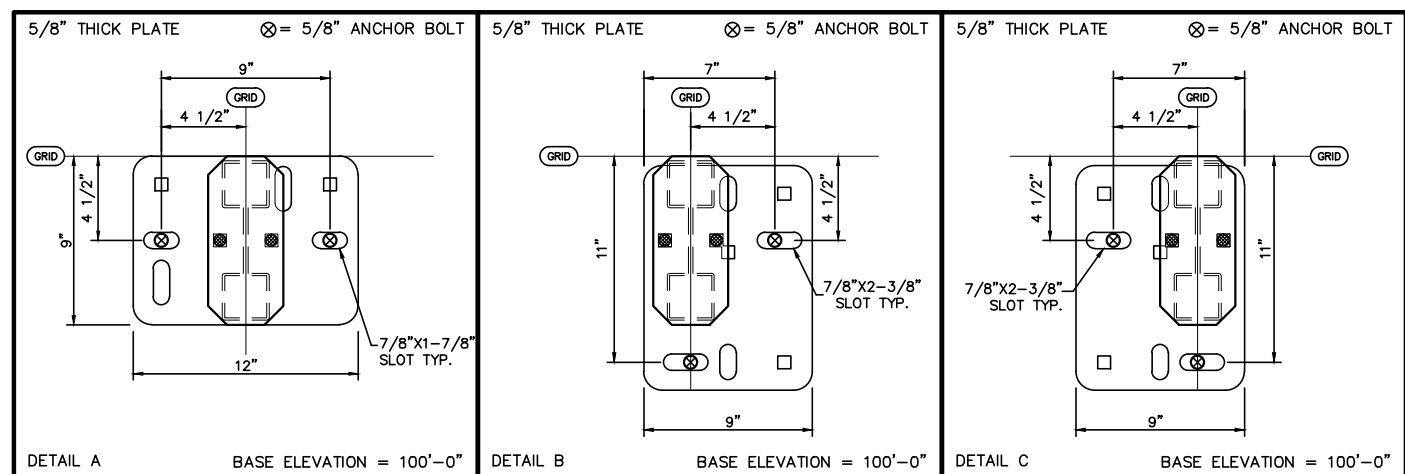
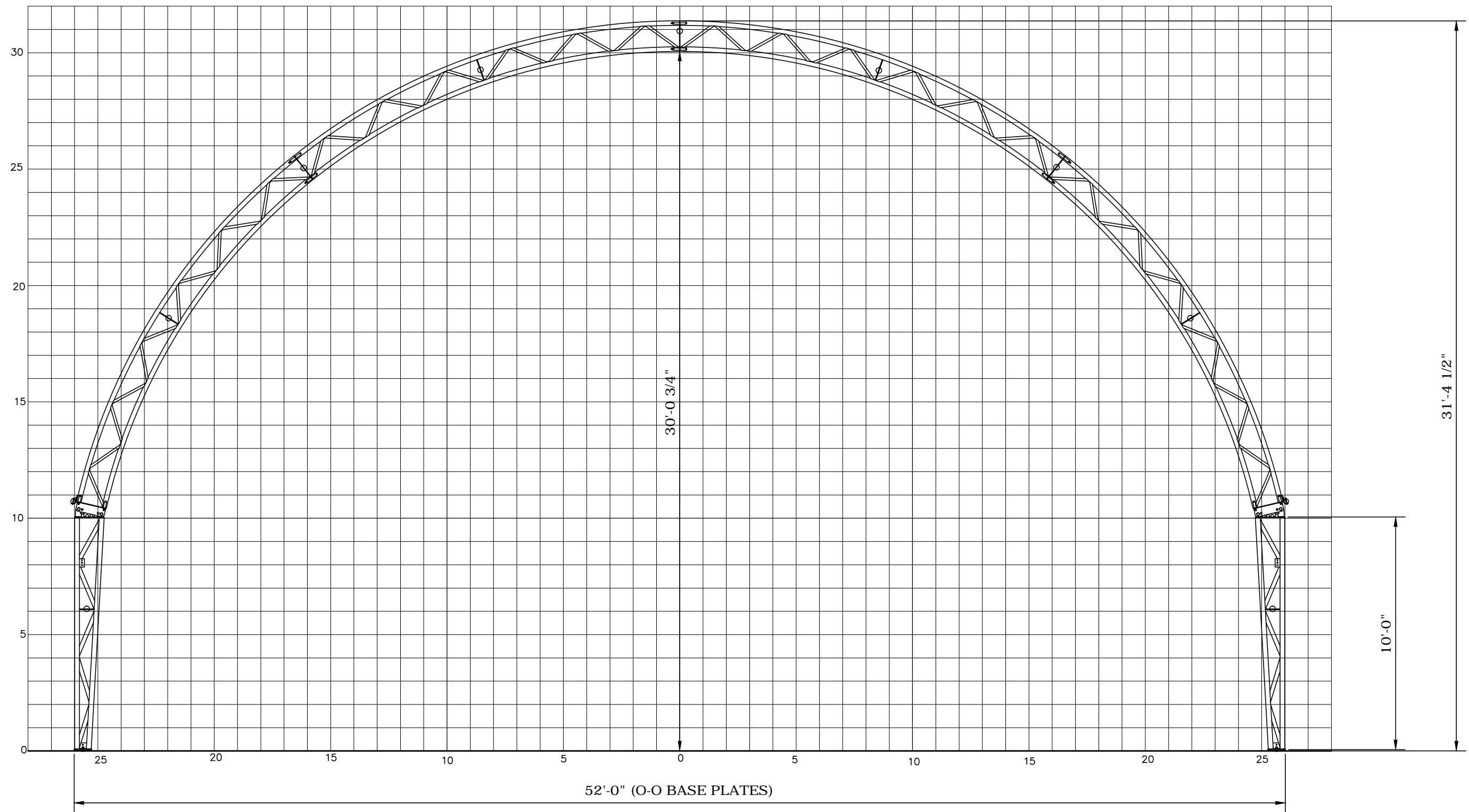


X:\DESIGN\AUTOCAD\PROFILE DWG\2014 PROFILES\62 CC 10 STEEL LEG PROFILE.dwg
 14-Mar-2015 2:19pm



Calhoun Superstructure Ltd. 3702 Bruce Rd #10 Tara, Ontario, Canada NOH 2N0 800-265-3994 www.calhounsuperstructure.com					
	NAME	DATE			
	L G G	13/06/2014			
	CHECKED	R W H	13/06/2014		
	ENG. APPR.				
PROPRIETARY AND CONFIDENTIAL THE INFORMATION CONTAINED IN THIS DRAWING IS THE SOLE PROPERTY OF CALHOUN SUPERSTRUCTURE. ANY REPRODUCTION IN PART OR AS A WHOLE WITHOUT THE WRITTEN PERMISSION OF CALHOUN SUPERSTRUCTURE IS PROHIBITED					
No.	DESCRIPTION	DATE	SIZE	DWG. NO.	
	REVISION / ISSUE		D	CC-52	
				SCALE:	SHEET 1 OF 1

CALHOUN

52' CC PROFILE
ON 10'-0" STEEL LEG

N T S