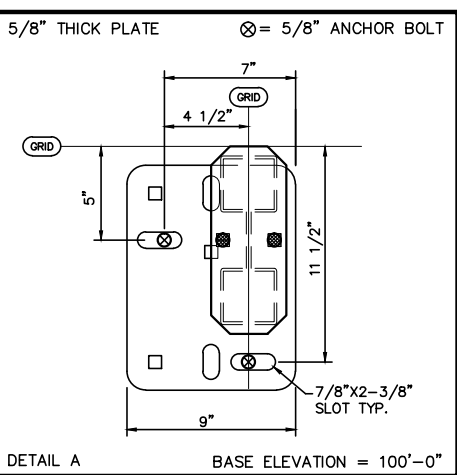
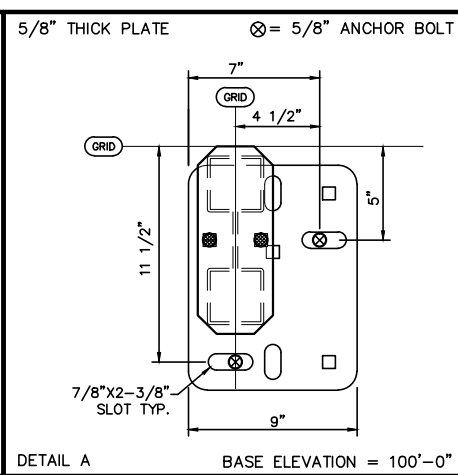
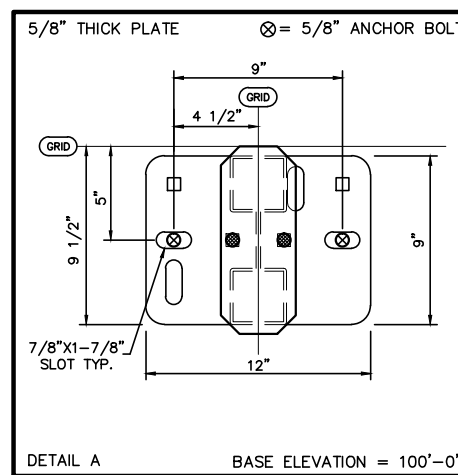
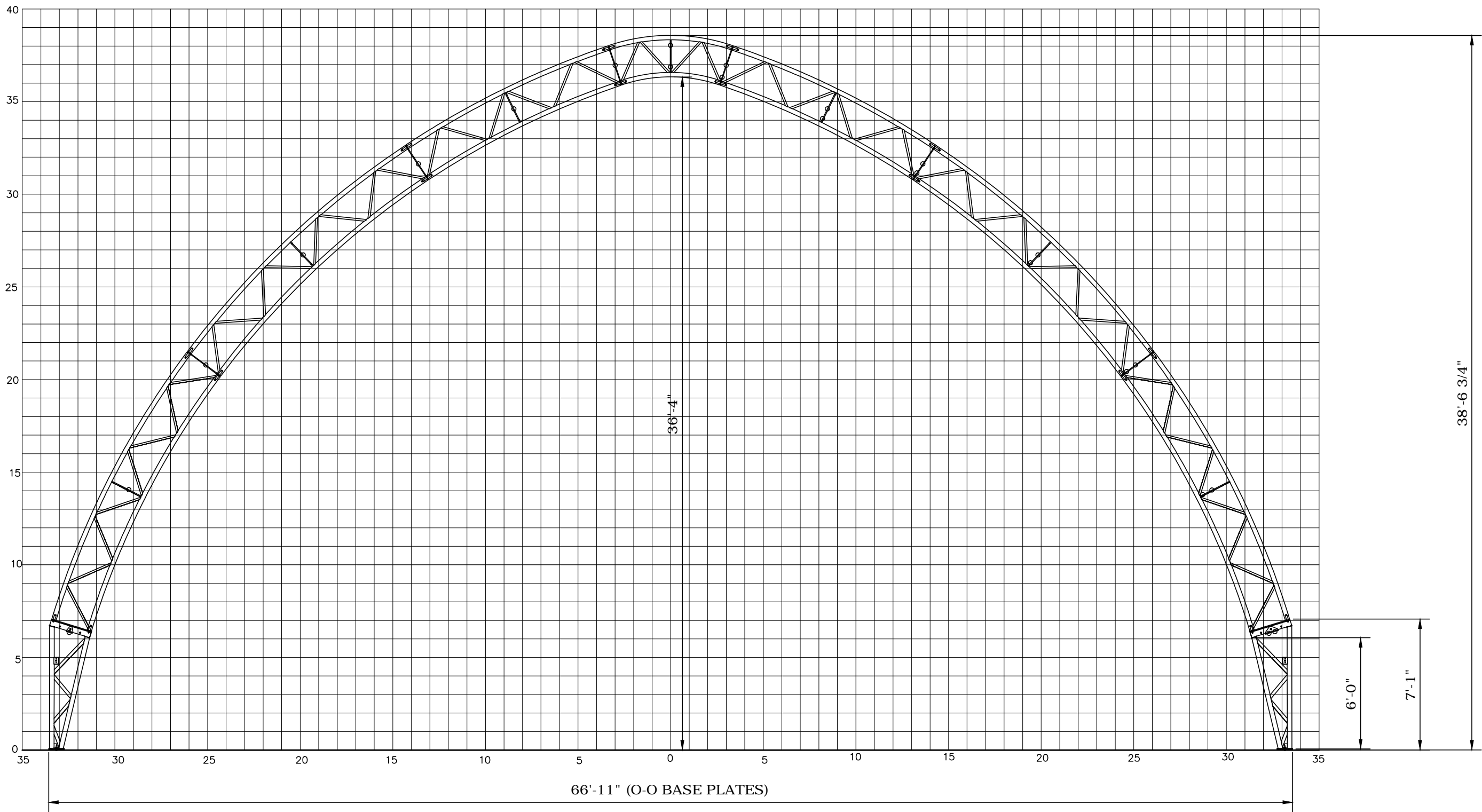


X:\DESIGN\AUTOCAD PROFILE DWG\2014 PROFILES\65 HT 6' STEEL LEG PROFILE.dwg  
 Mar 30, 2015 3:54pm



|  |                  |                  |
|--|------------------|------------------|
| Calhoun Superstructure Ltd.<br>3702 Bruce Rd #10<br>Tara, Ontario, Canada<br>NOH 2N0<br>800-265-3994<br>www.calhounsuperstructure.com  |                  |                  |
|  | NAME             | DATE             |
|  | L G G            | 17/06/2014       |
|  | CHECKED          | R W H 17/06/2014 |
|  | ENG. APPR.       |                  |
| PROPRIETARY AND CONFIDENTIAL<br>THE INFORMATION CONTAINED IN THIS<br>DRAWING IS THE SOLE PROPERTY OF<br>CALHOUN SUPERSTRUCTURE. ANY<br>REPRODUCTION IN PART OR AS A WHOLE<br>WITHOUT THE WRITTEN PERMISSION OF<br>CALHOUN SUPERSTRUCTURE IS PROHIBITED |                  |                  |
| No.  | DESCRIPTION      | DATE             |
|  | REVISION / ISSUE |                  |

**65' HT PROFILE  
ON 6'-0" STEEL LEG**

SIZE: **D** DWG. NO.: **HT-65**

SCALE: N T S SHEET 1 OF 1