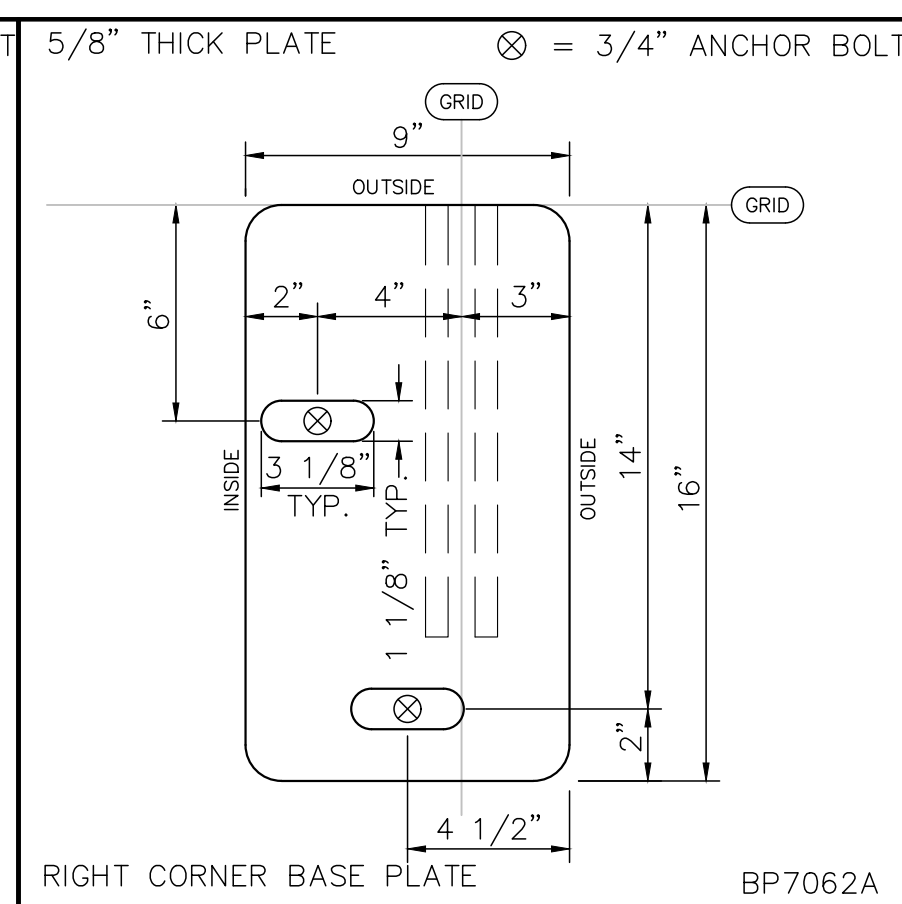
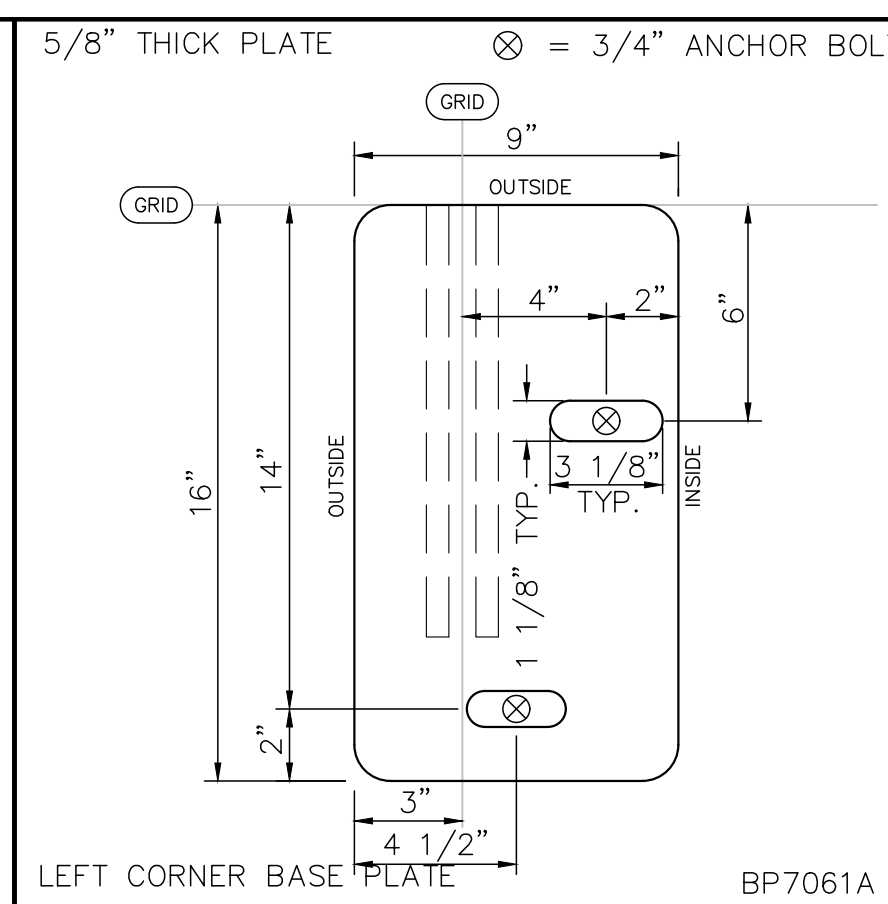
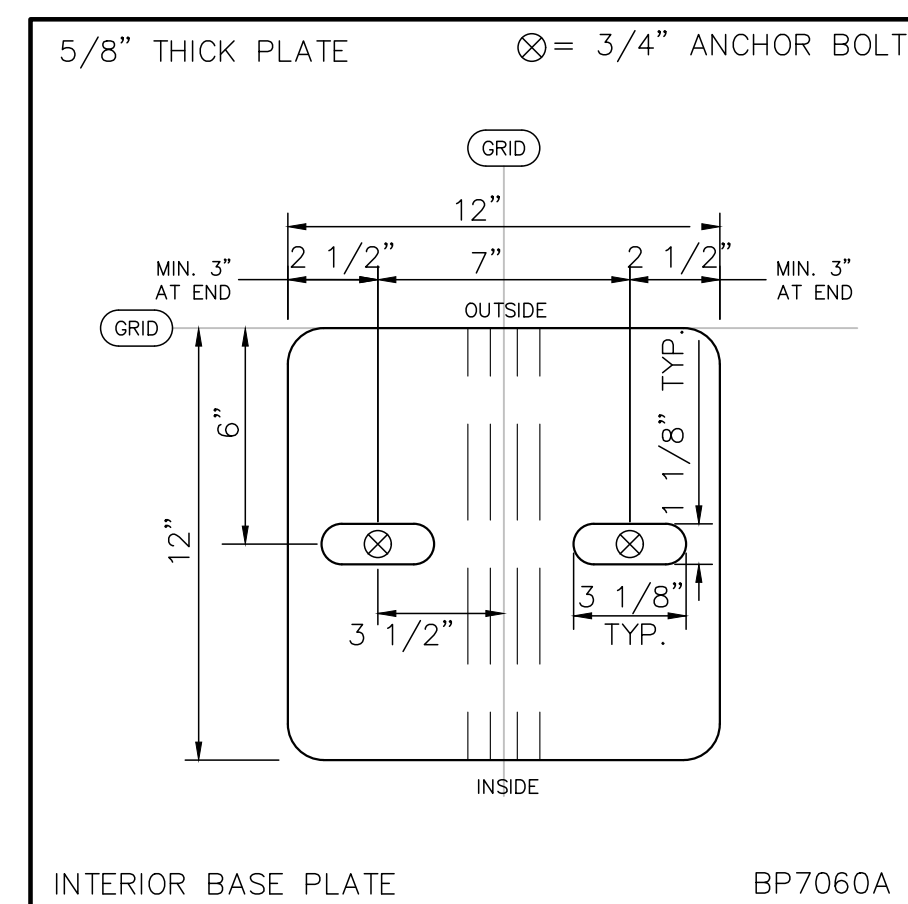


80 VP_LP - Series 4 COMPONENT SCHEDULE - END TRUSS			
MARK	PART No.	DESCRIPTION	COMMENT
A	TR74001A	TRUSS PEAK SERIES 4 VP_LP	
B	TR76101A	TRUSS SECTION SERIES 4 VP_LP 201.5"	
C	TS74004A	TRUSS SHOULDER SERIES 4 VP_LP	
D	TL74008A	STEEL LEG FOR SERIES 4 VP_LP - 15.25' HIGH	
E	IN79406A	VP_LP PEAK INSERT 4" WIDE - END	
F	IN79400A	INSERT ROUND 4" CHORD SHOULDER	

PROFILE MASS = 2200 LBS

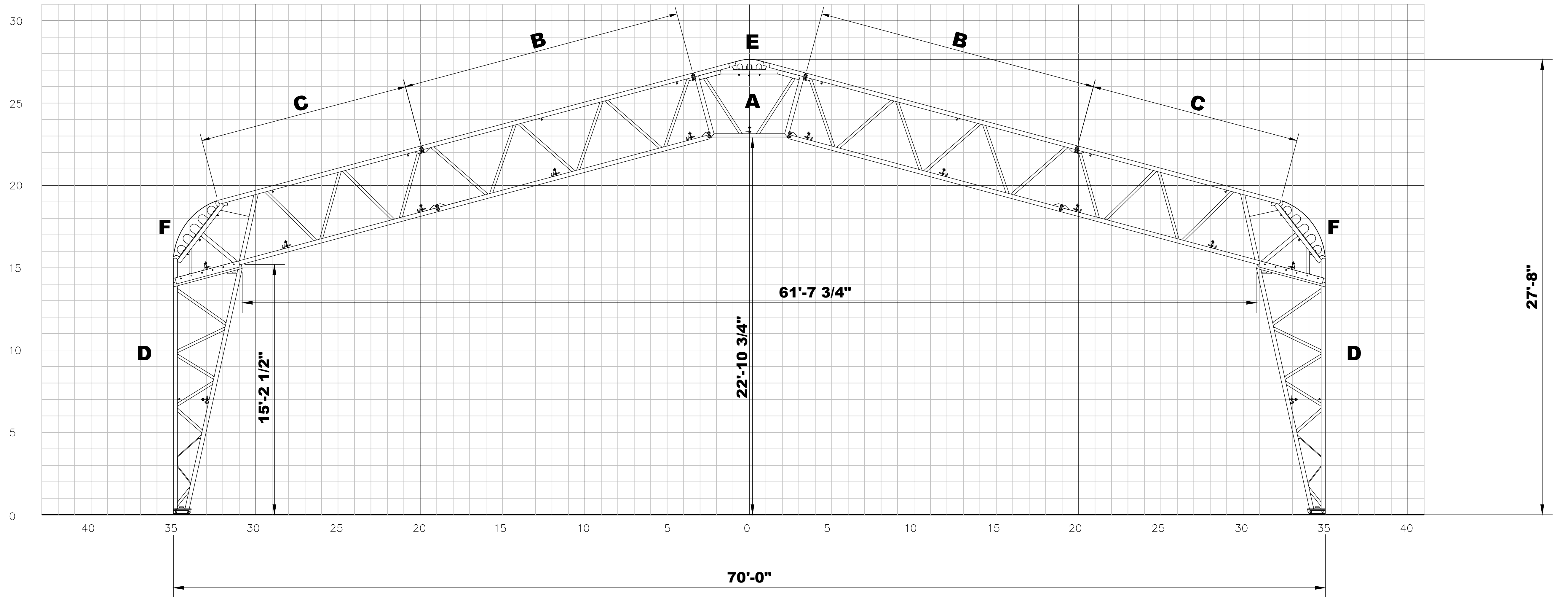


		Calhoun Superstructure Ltd. 3702 Bruce Rd #10 Tara, Ontario, Canada N0H 2N0 800-265-3994 www.calhounsuperstructure.com	
NAME	DATE	NAME	DATE
R D B	15/06/2018	R D B	15/06/2018
CHECKED	A G B	ENG. APPR.	
		PROPRIETARY AND CONFIDENTIAL THE INFORMATION CONTAINED IN THIS DRAWING IS THE SOLE PROPERTY OF CALHOUN SUPERSTRUCTURE. ANY REPRODUCTION IN PART OR AS A WHOLE WITHOUT THE WRITTEN PERMISSION OF CALHOUN SUPERSTRUCTURE IS PROHIBITED.	
No.	DESCRIPTION	DATE	SCALE:
	REVISION / ISSUE		

70' VPr_LP
Series 4
15'-2 1/2" LEG

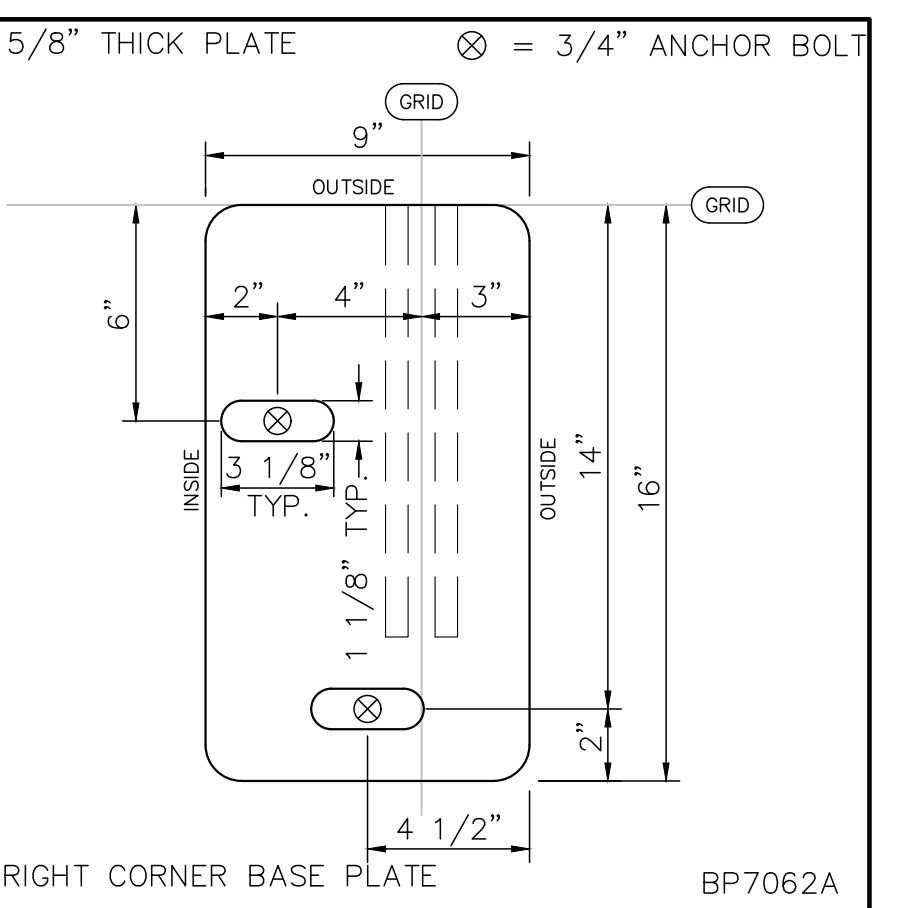
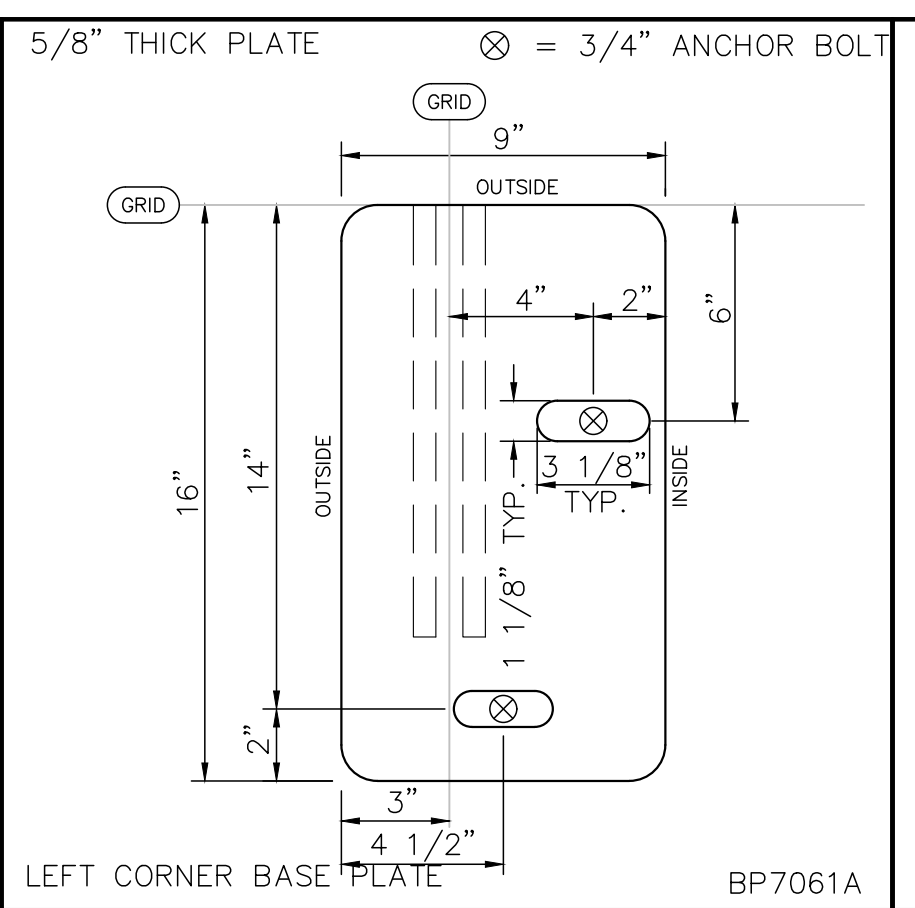
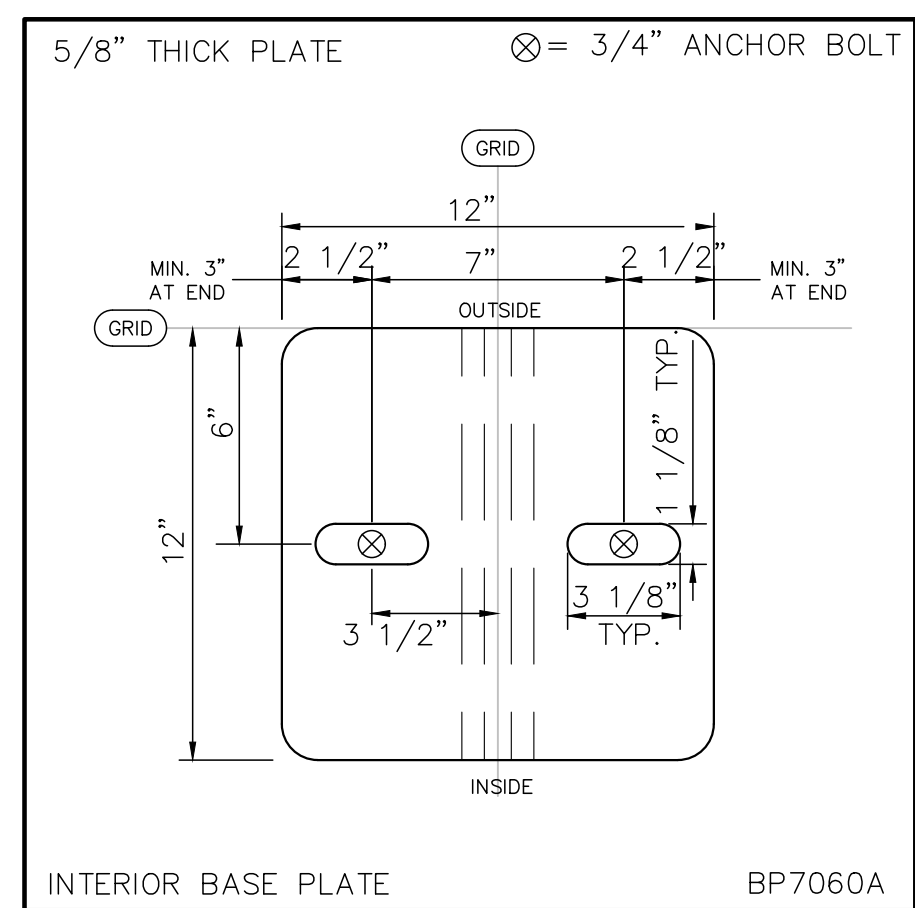
SIZE: D
 SHEET: 1 OF 2

End Truss



80 VP_LP - Series 4 COMPONENT SCHEDULE - INTERIOR TRUSS			
MARK	PART No.	DESCRIPTION	COMMENT
A	TR74001A	TRUSS PEAK SERIES 4 VP_LP	
B	TR76101A	TRUSS SECTION SERIES 4 VP_LP 201.5"	
C	TS74004A	TRUSS SHOULDER SERIES 4 VP_LP	
D	TL74008A	STEEL LEG FOR SERIES 4 VP_LP - 15.25' HIGH	
E	IN79407A	VP_LP PEAK INSERT 4" WIDE - INTERIOR	
F	IN79400A	INSERT ROUND 4" CHORD SHOULDER	

PROFILE MASS = 2200 LBS



		Calhoun Superstructure Ltd. 3702 Bruce Rd #10 Tara, Ontario, Canada N0H 2N0 800-265-3994 www.calhounsuperstructure.com	
NAME	DATE	NAME	DATE
R D B	15/06/2018	R D B	15/06/2018
CHECKED	A G B	ENG. APPR.	
No.		DESCRIPTION	
REVISION / ISSUE		DATE	

CALHOUN

70' VPr_LP
Series 4
15'-2 1/2" LEG

PROPRIETARY AND CONFIDENTIAL
 THE INFORMATION CONTAINED IN THIS
 DRAWING IS THE SOLE PROPERTY OF
 CALHOUN SUPERSTRUCTURE. ANY
 REPRODUCTION IN PART OR AS A WHOLE
 WITHOUT THE WRITTEN PERMISSION
 OF CALHOUN SUPERSTRUCTURE IS
 PROHIBITED.

SCALE: **D** SHEET 2 OF 2