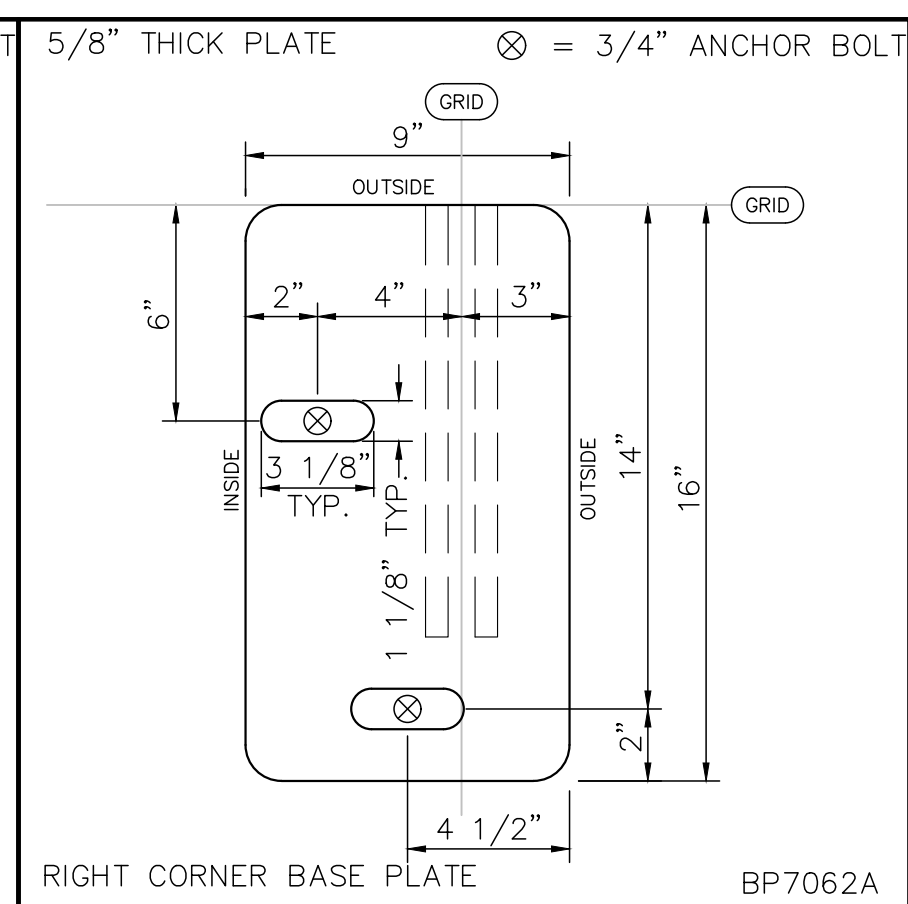
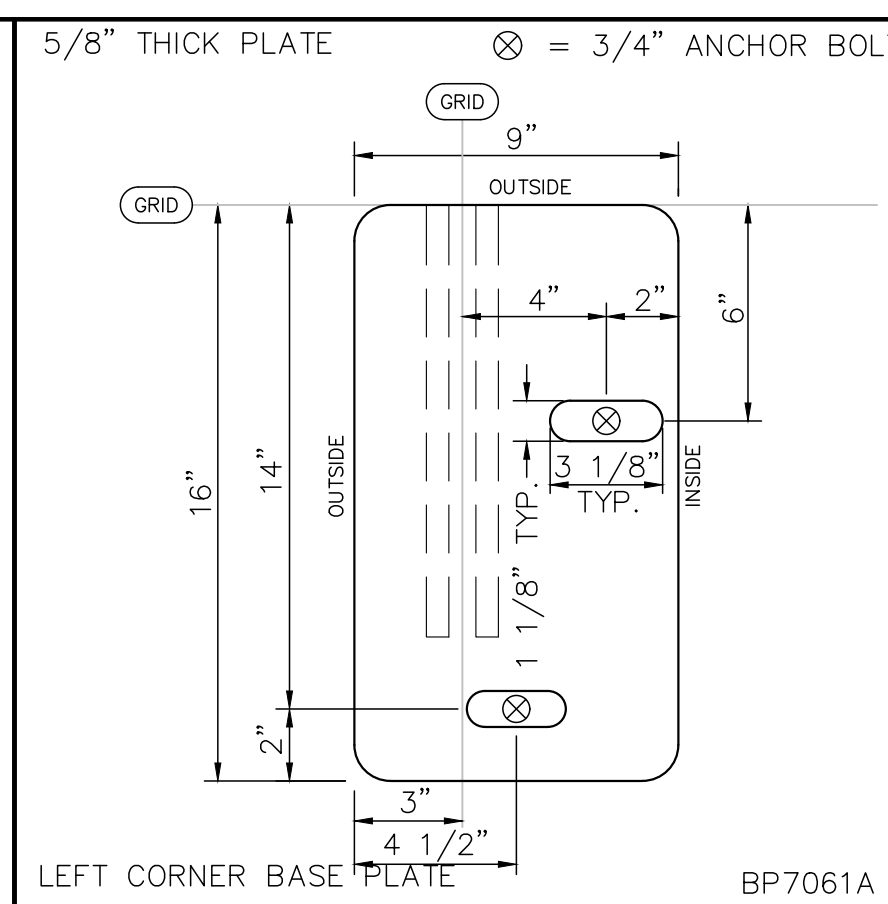
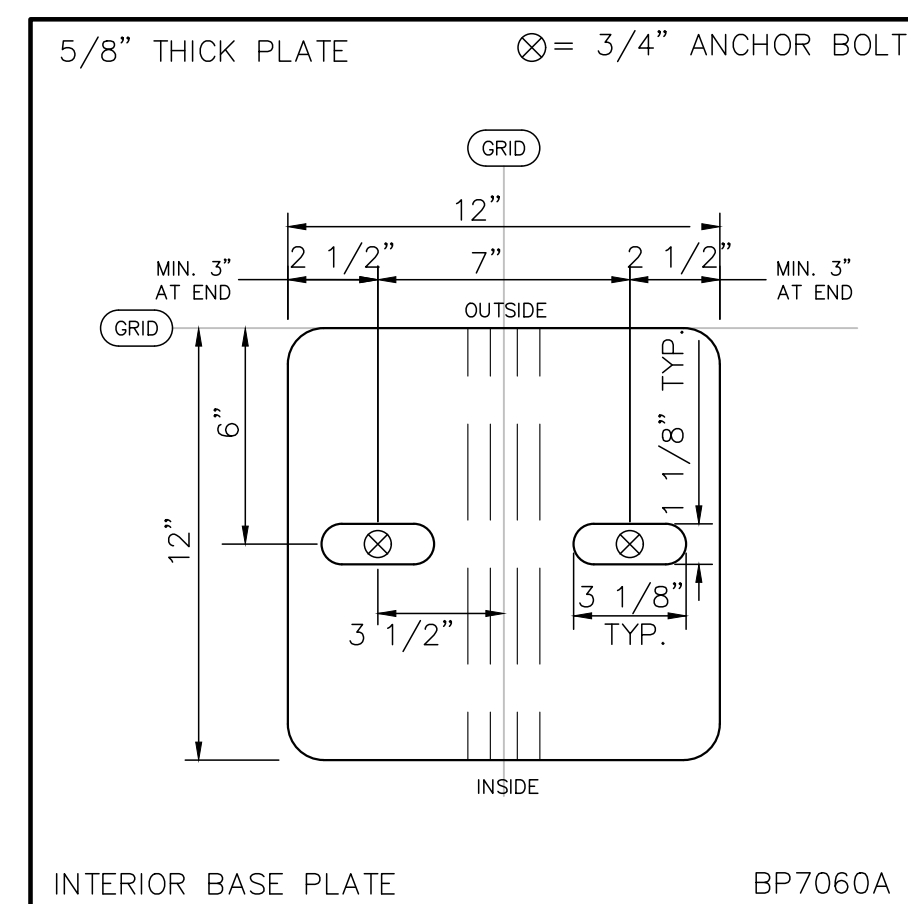


80 VP_LP - Series 4 COMPONENT SCHEDULE - END TRUSS			
MARK	PART No.	DESCRIPTION	COMMENT
A	TR74001A	TRUSS PEAK SERIES 4 VP_LP	
B	TR76100A	VP 100' CUSTOM TRUSS SECTION - 22'-2 11/16"	
C	TS74004A	TRUSS SHOULDER SERIES 4 VP_LP	
D	TL74008A	STEEL LEG FOR SERIES 4 VP_LP - 15.25' HIGH	
E	IN79406A	VP_LP PEAK INSERT 4" WIDE - END	
F	IN79400A	INSERT ROUND 4" CHORD SHOULDER	

PROFILE MASS = 2500 LBS

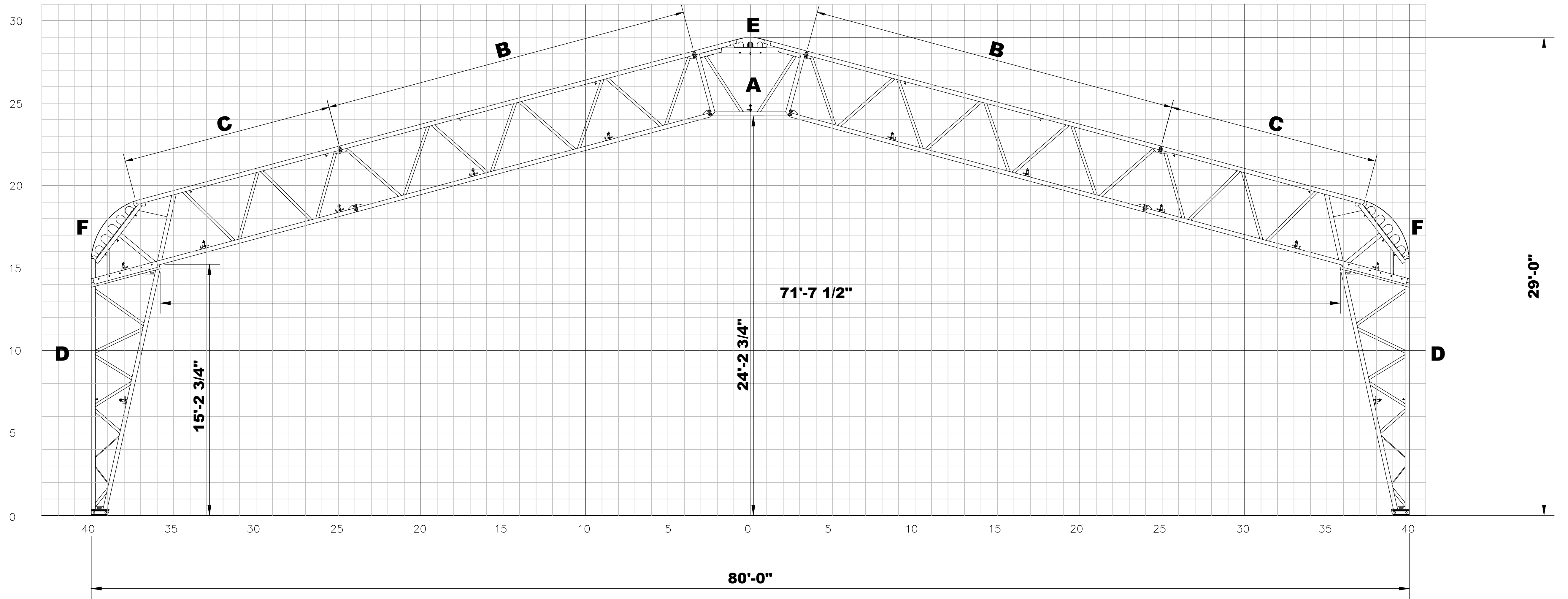


		Calhoun Superstructure Ltd. 3702 Bruce Rd #10 Tara, Ontario, Canada N0H 2N0 800-265-3994 www.calhounsuperstructure.com	
NAME	DATE	NAME	DATE
R D B	15/06/2018	R D B	15/06/2018
CHECKED	A G B	ENG. APPR.	
PROPRIETARY AND CONFIDENTIAL THE INFORMATION CONTAINED IN THIS DRAWING IS THE SOLE PROPERTY OF CALHOUN SUPERSTRUCTURE. ANY REPRODUCTION IN PART OR AS A WHOLE WITHOUT THE WRITTEN PERMISSION OF CALHOUN SUPERSTRUCTURE IS PROHIBITED.			
No.	DESCRIPTION	DATE	SCALE:
	REVISION / ISSUE		

80' VPr_LP
Series 4
15'-2 1/2" LEG

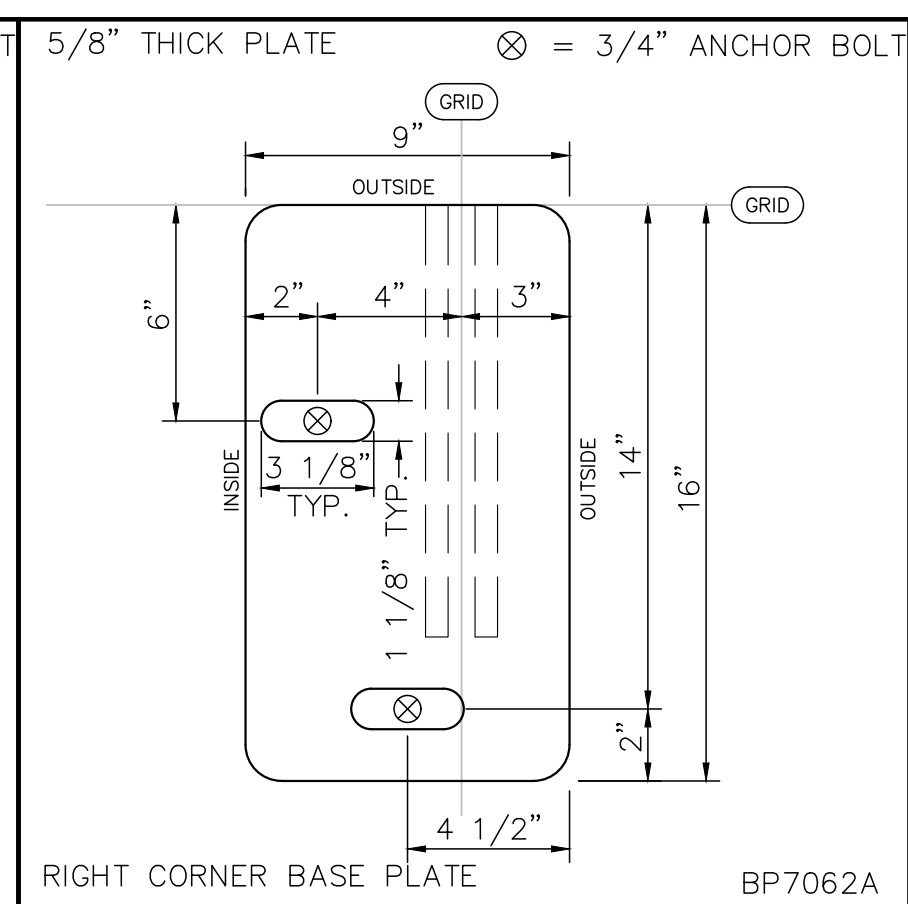
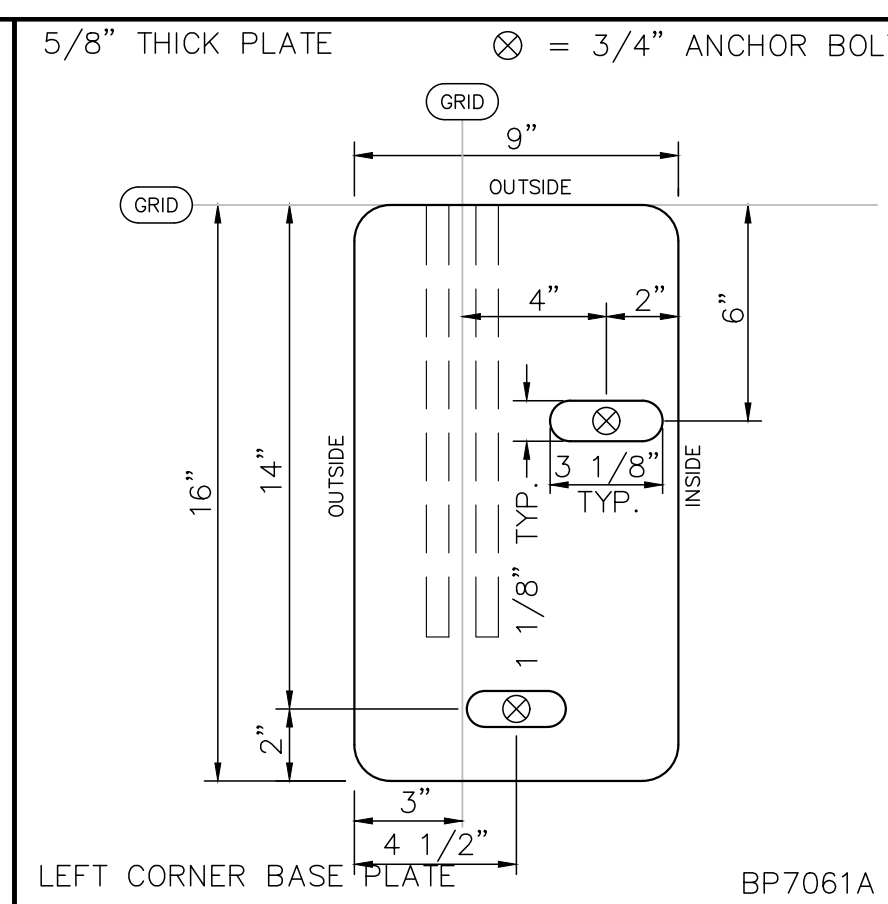
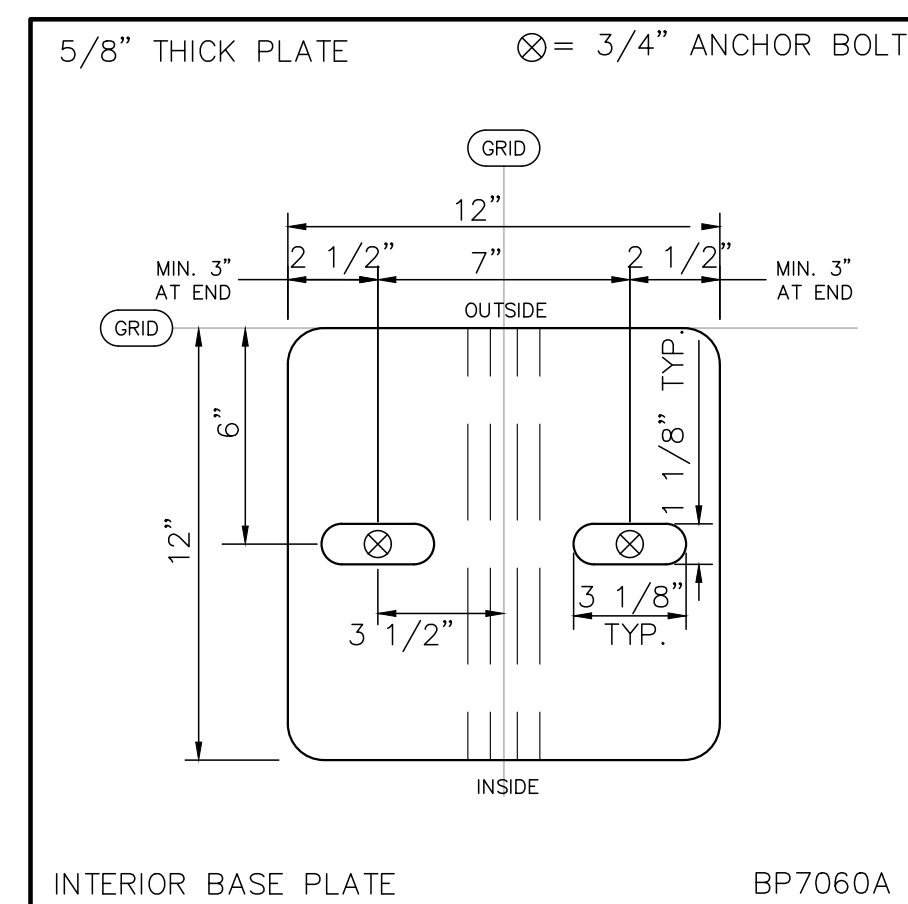
SIZE: **D** SHEET: **1 OF 2**

SCALE: TITLE: **End Truss**




80 VP_LP - Series 4 COMPONENT SCHEDULE - INTERIOR TRUSS			
MARK	PART No.	DESCRIPTION	COMMENT
A	TR74001A	TRUSS PEAK SERIES 4 VP_LP	
B	TR76100A	VP 100' CUSTOM TRUSS SECTION - 22'-2 11/16"	
C	TS74004A	TRUSS SHOULDER SERIES 4 VP_LP	
D	TL74008A	STEEL LEG FOR SERIES 4 VP_LP - 15.25' HIGH	
E	IN79407A	VP_LP PEAK INSERT 4" WIDE - INTERIOR	
F	IN79400A	INSERT ROUND 4" CHORD SHOULDER	

PROFILE MASS = 2500 LBS



Calhoun Superstructure Ltd. 3702 Bruce Rd #10 Tara, Ontario, Canada N0H 2N0 800-265-3994 www.calhounsuperstructure.com	
NAME	DATE
R D B	15/06/2018
CHECKED	A G B 15/06/2018
ENG. APPR.	
<small>PROPRIETARY AND CONFIDENTIAL THE INFORMATION CONTAINED IN THIS DRAWING IS THE SOLE PROPERTY OF CALHOUN SUPERSTRUCTURE. ANY REPRODUCTION IN PART OR AS A WHOLE WITHOUT THE WRITTEN PERMISSION OF CALHOUN SUPERSTRUCTURE IS PROHIBITED.</small>	
No.	DESCRIPTION
	DATE
	REVISION / ISSUE



80' VPr_LP
Series 4
15'-2 1/2" LEG

Interior Truss

SCALE: N T S SHEET 2 OF 2