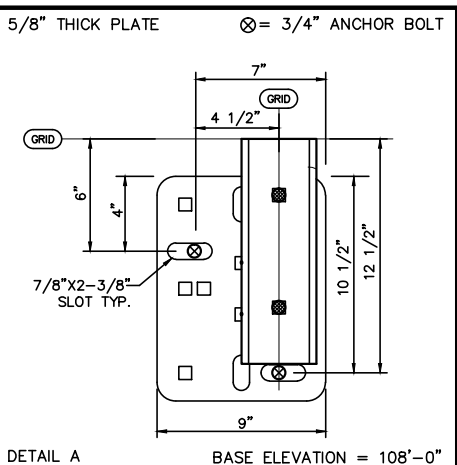
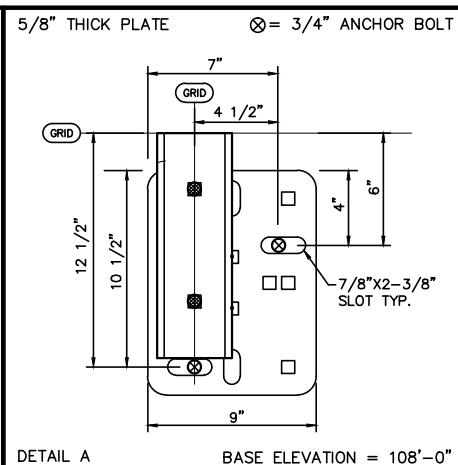
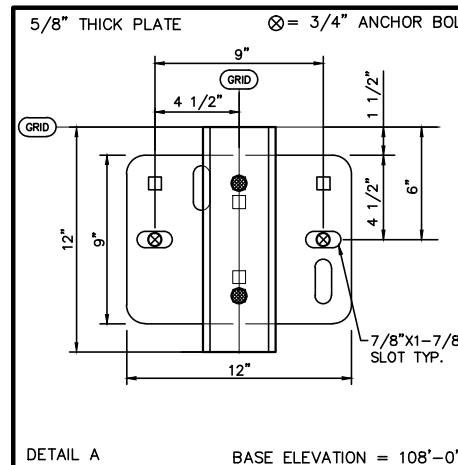
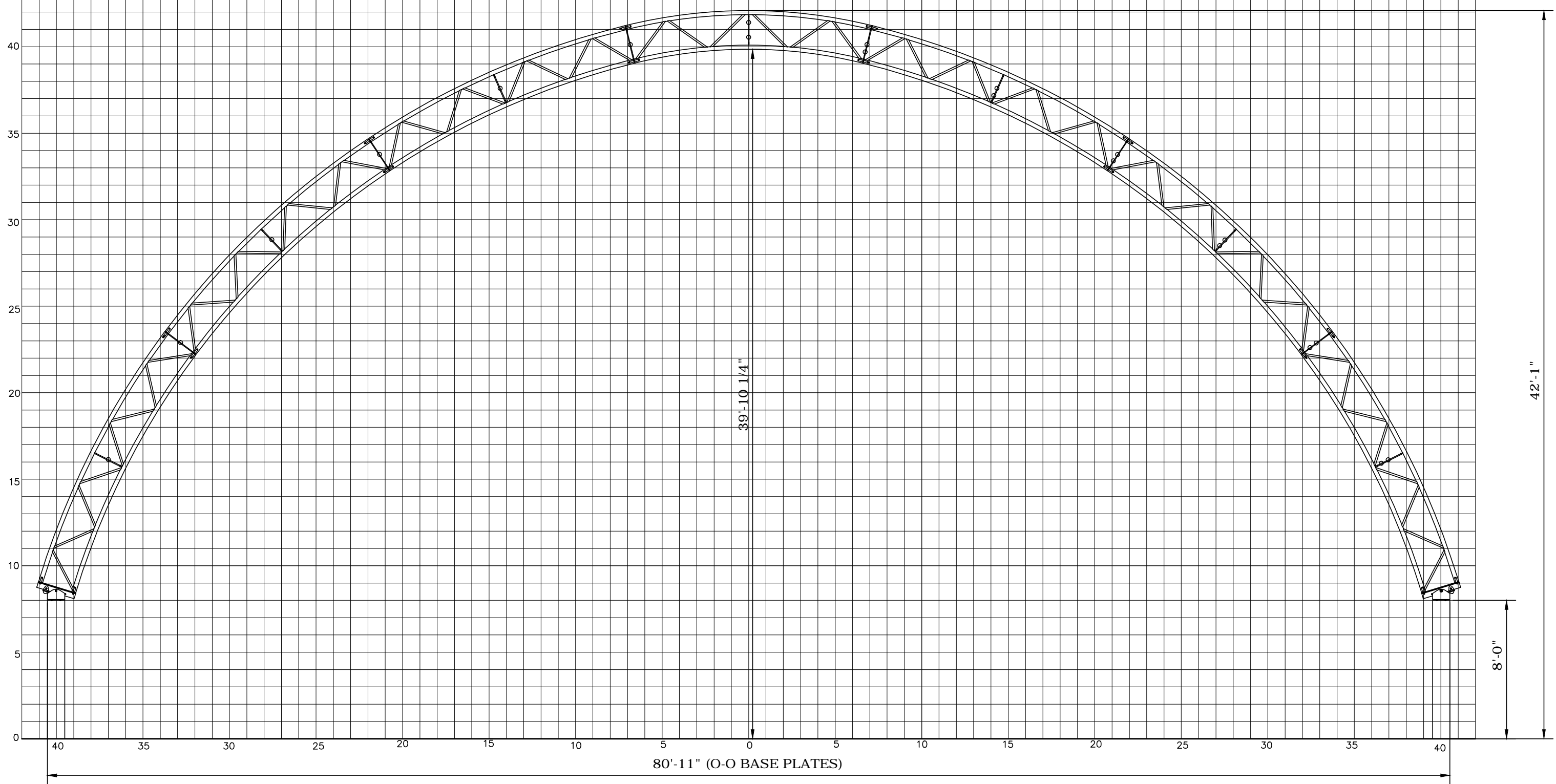


Y:\DESIGN\AUTOCAD\PROFILE DWG\2014 PROFILES\82 HT CONC PROFILE.dwg
 Mar 31, 2015 - 9:51am



			Calhoun Superstructure Ltd. 3702 Bruce Rd #10 Tara, Ontario, Canada NOH 2N0 800-265-3994 www.calhounsuperstructure.com	
			NAME	DATE
			LG G	17/06/2014
			CHECKED	17/06/2014
			ENG. APPR.	
PROPRIETARY AND CONFIDENTIAL THE INFORMATION CONTAINED IN THIS DRAWING IS THE SOLE PROPERTY OF CALHOUN SUPERSTRUCTURE. ANY REPRODUCTION IN PART OR AS A WHOLE WITHOUT THE WRITTEN PERMISSION OF CALHOUN SUPERSTRUCTURE IS PROHIBITED				
No.	DESCRIPTION	DATE		
REVISION / ISSUE				

**82' HT PROFILE
ON CONCRETE WALL**

SIZE: **D** DWG. NO.: **HT-82**

SCALE: SHEET: **1 OF 1**

N T S