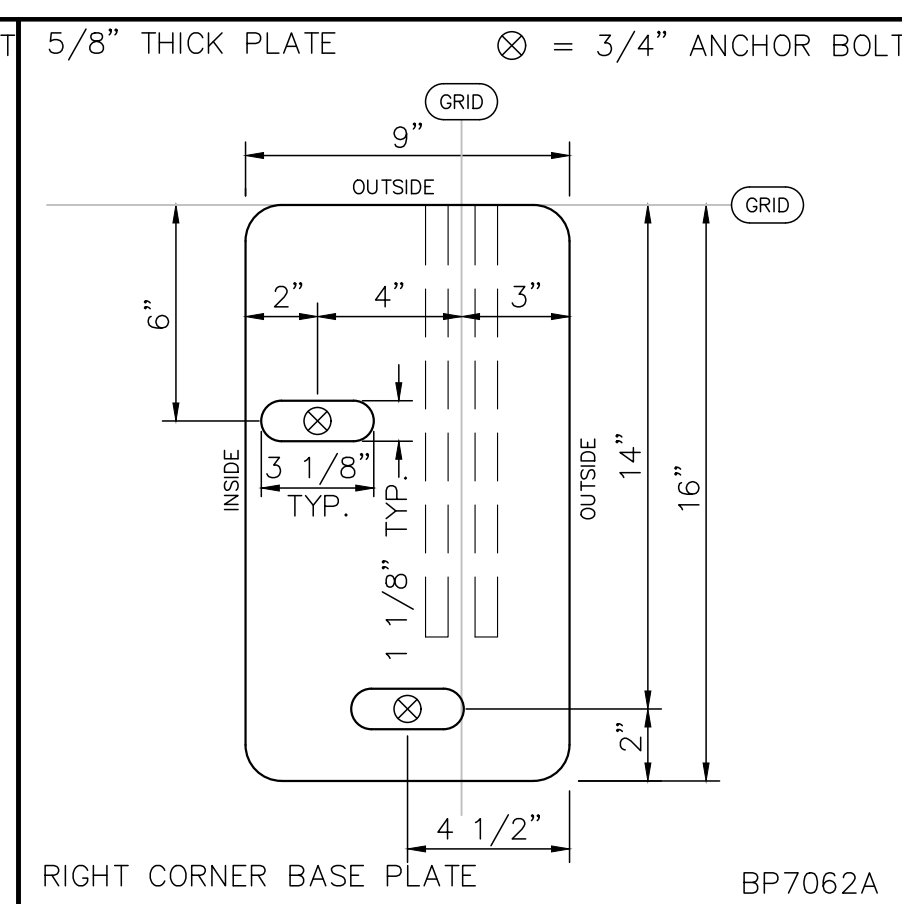
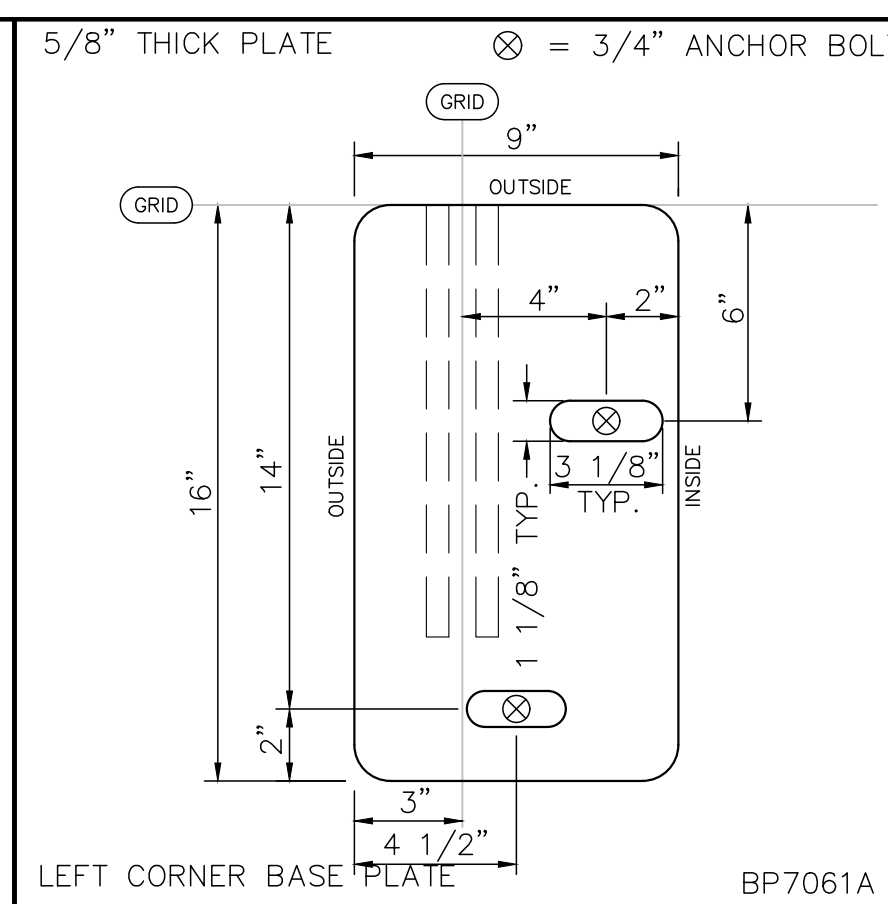
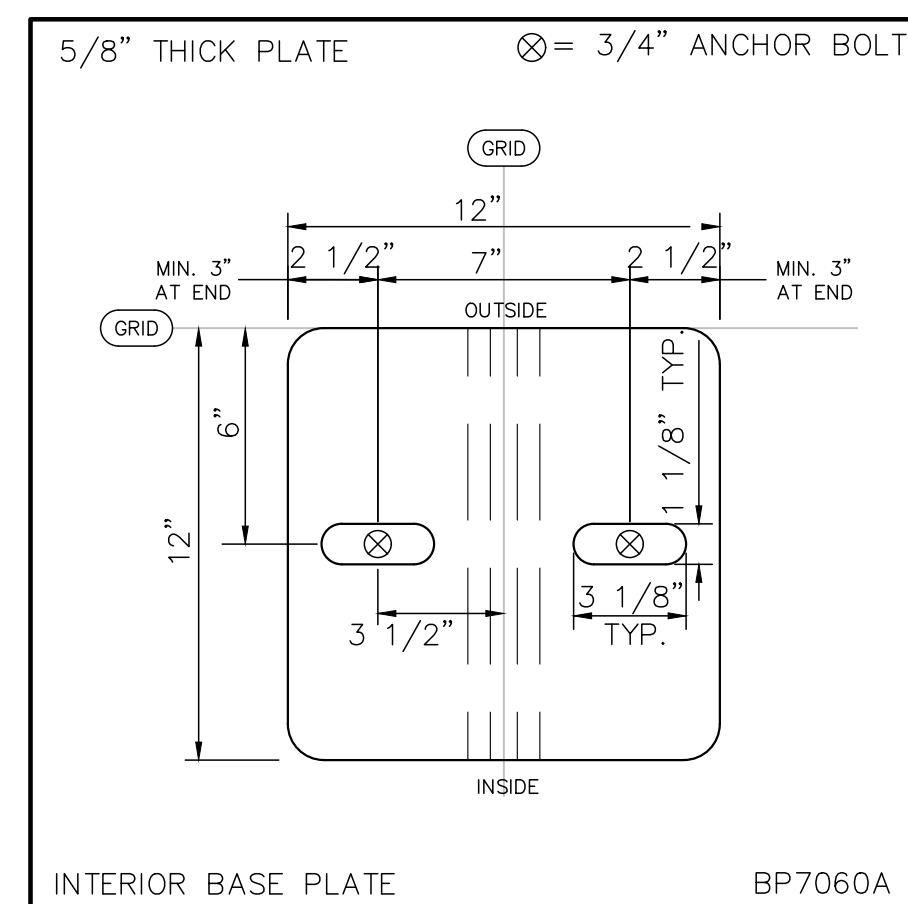


80 VP_LP - Series 4 COMPONENT SCHEDULE - END TRUSS			
MARK	PART No.	DESCRIPTION	COMMENT
A	TR74001A	TRUSS PEAK SERIES 4 VP_LP	
B	TR76100A	VP 100' CUSTOM TRUSS SECTION - 22'-2 11/16"	
C	TS74005A	TRUSS SHOULDER SERIES 4 VP_LP - 90' WIDE	
D	TL74008A	STEEL LEG FOR SERIES 4 VP_LP - 15.25' HIGH	
E	IN79406A	VP_LP PEAK INSERT 4" WIDE - END	
F	IN79400A	INSERT ROUND 4" CHORD SHOULDER	

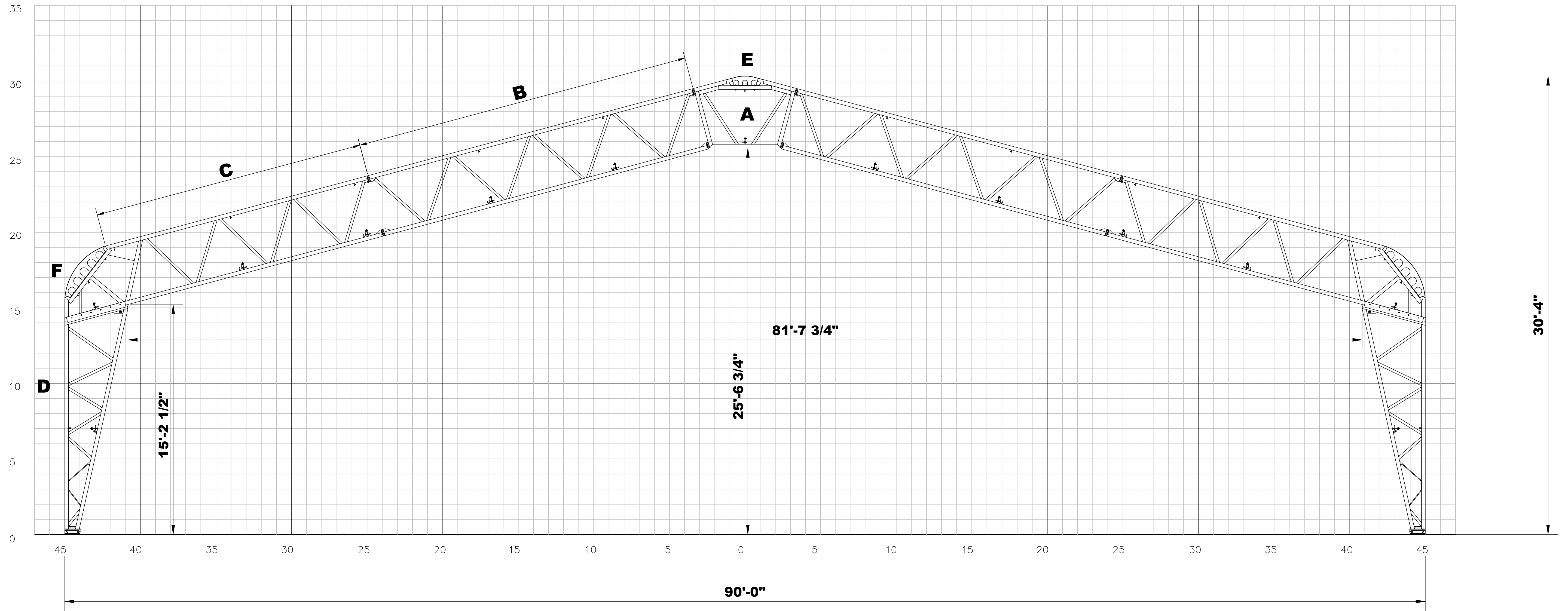
PROFILE MASS = 2700 LBS



		Calhoun Superstructure Ltd. 3702 Bruce Rd #10 Tara, Ontario, Canada N0H 2N0 800-265-3994 www.calhounsuperstructure.com	
NAME	DATE		
R D B	15/06/2018		
CHECKED	A G B	15/06/2018	
ENG. APPR.			
PROPRIETARY AND CONFIDENTIAL THE INFORMATION CONTAINED IN THIS DRAWING IS THE SOLE PROPERTY OF CALHOUN SUPERSTRUCTURE. ANY REPRODUCTION IN PART OR AS A WHOLE WITHOUT THE WRITTEN PERMISSION OF CALHOUN SUPERSTRUCTURE IS PROHIBITED.			
No.	DESCRIPTION	DATE	SCALE:
	REVISION / ISSUE		

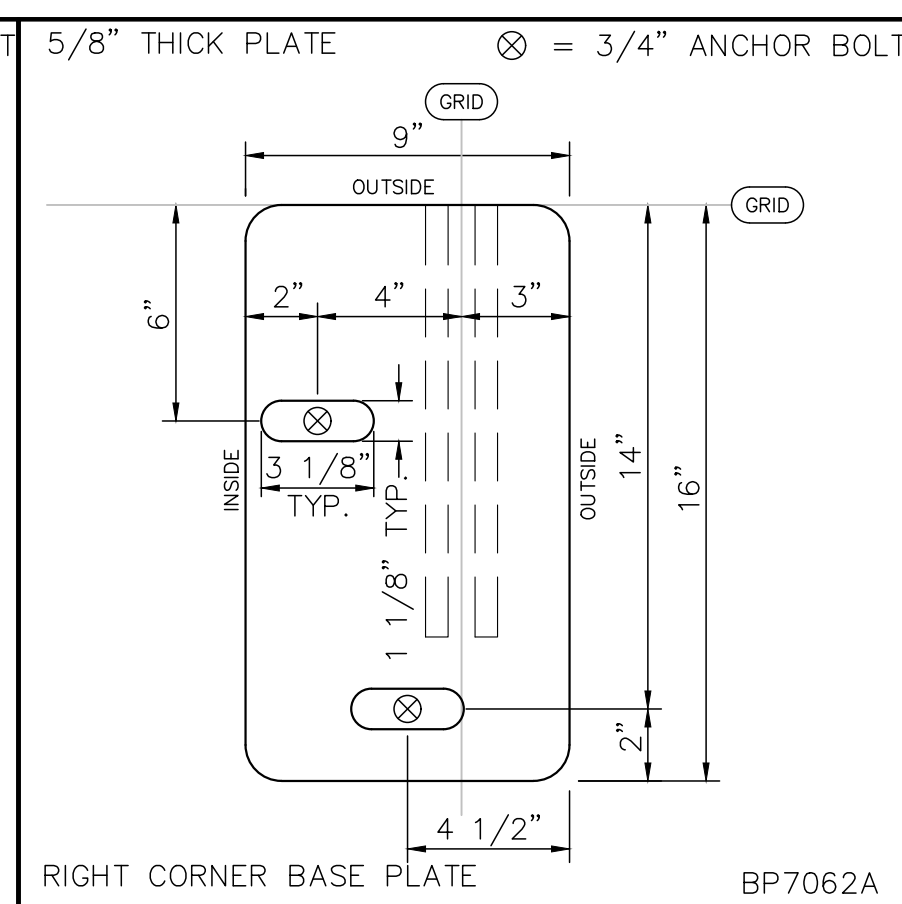
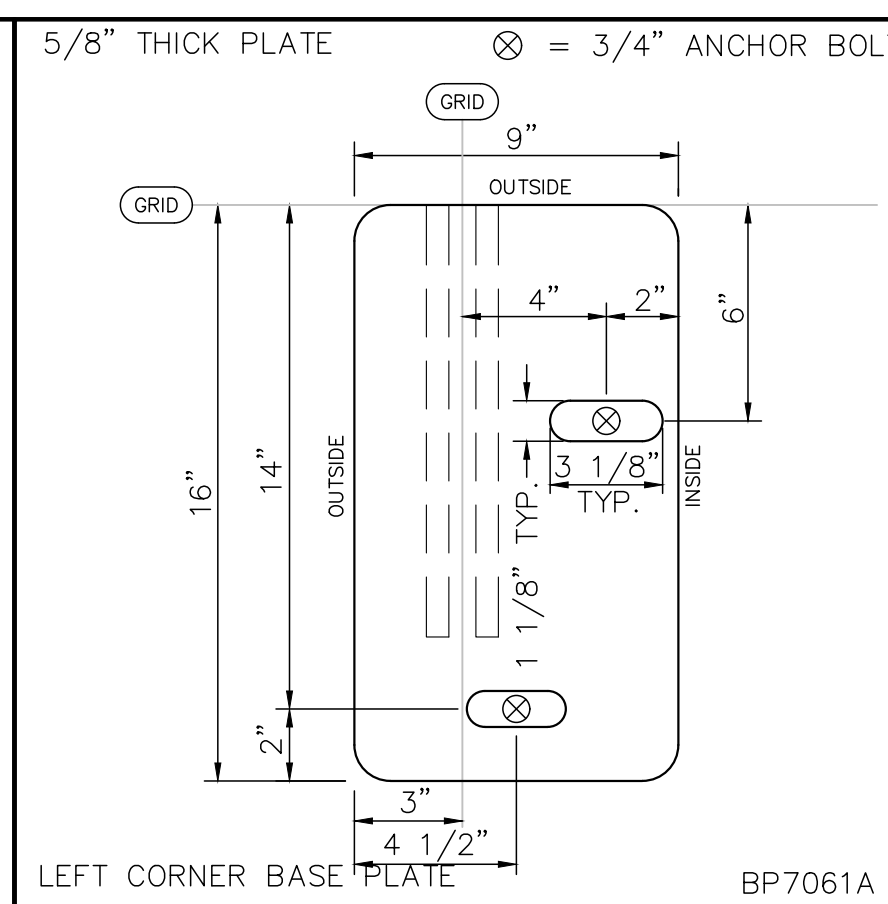
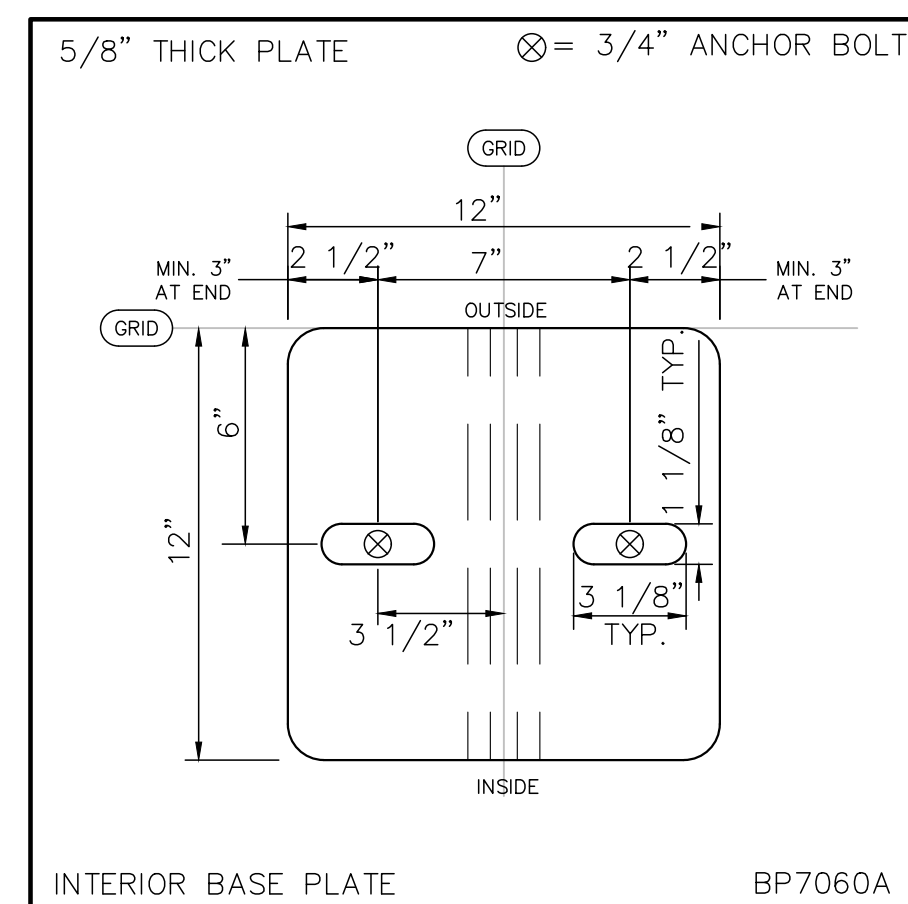
**90' VPr\_LP**  
**Series 4**  
**15'-2 1/2" LEG**

SIZE: **D**  
 SHEET: **1 OF 2**



80 VP_LP - Series 4 COMPONENT SCHEDULE - INTERIOR TRUSS			
MARK	PART No.	DESCRIPTION	COMMENT
A	TR74001A	TRUSS PEAK SERIES 4 VP_LP	
B	TR76100A	VP 100' CUSTOM TRUSS SECTION - 22'-2 11/16"	
C	TS74005A	TRUSS SHOULDER SERIES 4 VP_LP - 90' WIDE	
D	TL74008A	STEEL LEG FOR SERIES 4 VP_LP - 15.25' HIGH	
E	IN79407A	VP_LP PEAK INSERT 4" WIDE - INTERIOR	
F	IN79400A	INSERT ROUND 4" CHORD SHOULDER	

PROFILE MASS = 2700 LBS



		Calhoun Superstructure Ltd. 3702 Bruce Rd #10 Tara, Ontario, Canada N0H 2N0 800-265-3994 www.calhounsuperstructure.com	
DRAWN	R D B	DATE	15/06/2018
CHECKED	A G B	DATE	15/06/2018
ENG. APPR.			
<small>PROPRIETARY AND CONFIDENTIAL THE INFORMATION CONTAINED IN THIS DRAWING IS THE SOLE PROPERTY OF CALHOUN SUPERSTRUCTURE. ANY REPRODUCTION IN PART OR AS A WHOLE WITHOUT THE WRITTEN PERMISSION OF CALHOUN SUPERSTRUCTURE IS PROHIBITED.</small>			
No.	DESCRIPTION	DATE	
REVISION / ISSUE			

**90' VPr\_LP  
Series 4  
15'-2 1/2" LEG**

SCALE: **D**    Interior Truss    SHEET 2 OF 2