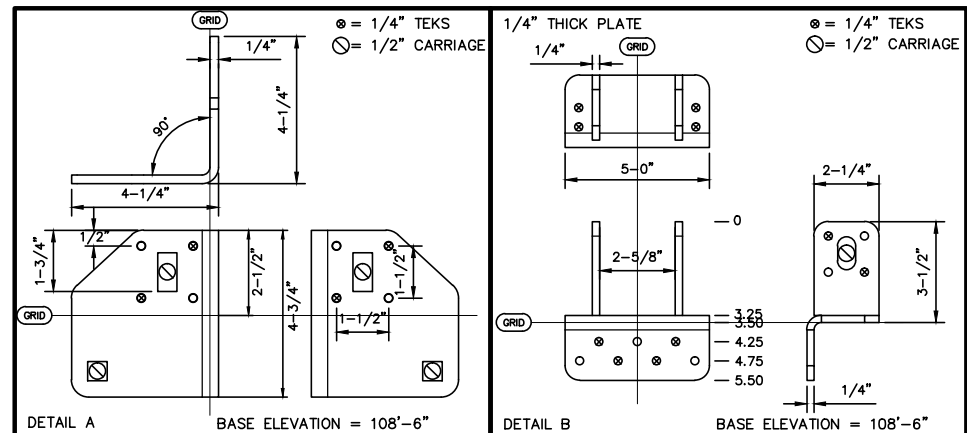


NOTE:
 SEA CONTAINERS
 DESIGNED & SUPPLIED
 BY OTHERS

40 CL COMPONENT SCHEDULE - TYPICAL TRUSS			
MARK	PART No.	DESCRIPTION	COMMENT
A	TP32000A	40' PEAK TRUSS	
B	TS32000A	STANDARD SHOULDER TRUSS	
C	---	CONTAINER 8'-6" TYP	DESIGNED & SUPPLIED BY OTHERS

PROFILE MASS = 400 LBS



Calhoun Superstructure Ltd. 3702 Bruce Rd #10 Tara, Ontario, Canada N0H 2N0 800-365-3994 www.calhounsuperstructure.com		
NAME	DATE	
DRAWN	K L	04/06/2015
CHECKED	R H	04/06/2015
ENG. APPR.	---	
PROPRIETARY AND CONFIDENTIAL THE INFORMATION CONTAINED IN THIS DRAWING IS THE SOLE PROPERTY OF CALHOUN SUPERSTRUCTURE. ANY REPRODUCTION IN PART OR AS A WHOLE WITHOUT THE WRITTEN PERMISSION OF CALHOUN SUPERSTRUCTURE IS PROHIBITED.		SIZE DWG. NO. D CL-40 SCALE: N T S SHEET 1 OF 1