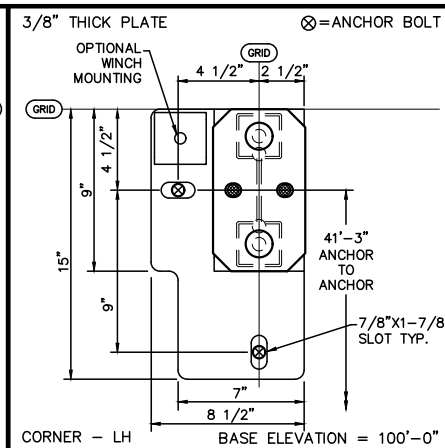
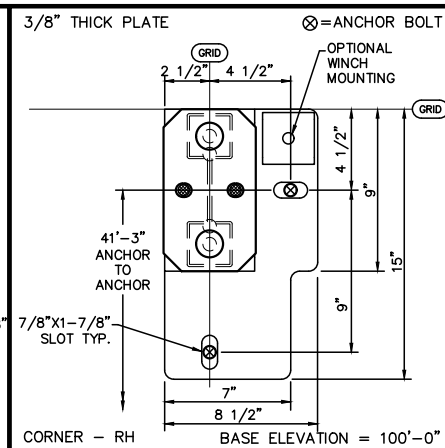
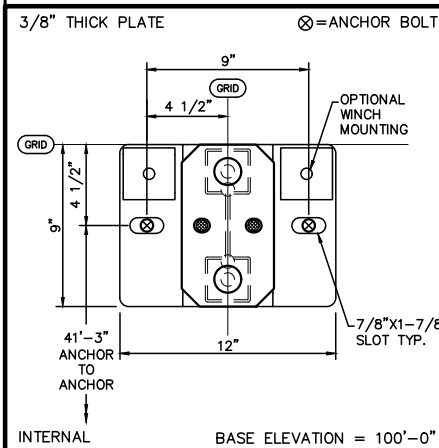
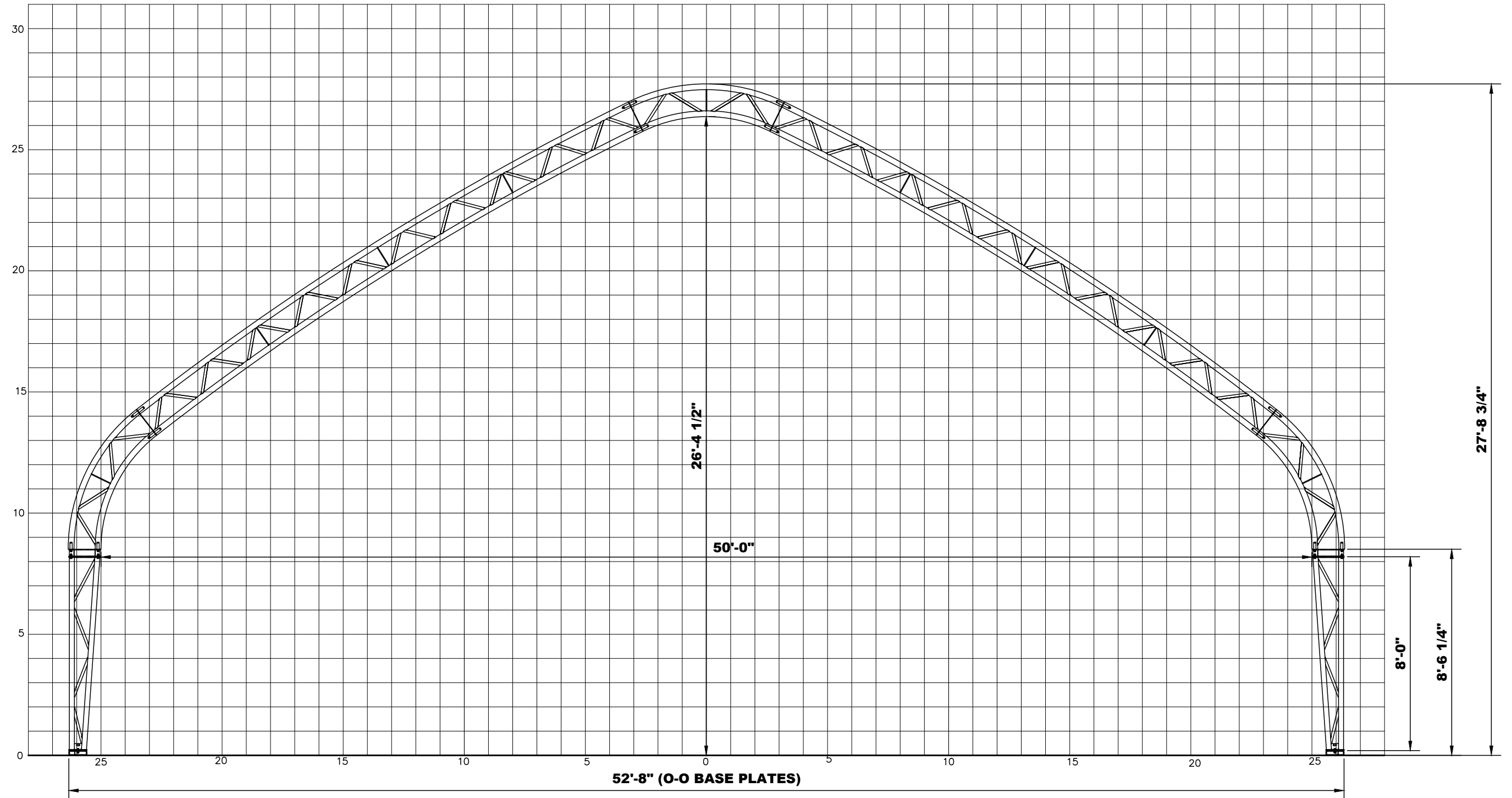


T:\Engineering\Grid Profiles\2018\ACAD\Grid Profiles\GB\GB 8' STEEL LEG PROFILES.dwg
 Nov 21, 2018 7:36am



			Calhoun Superstructure Ltd. 3702 Bruce Rd #10 Tara, Ontario, Canada M0H 2N0 800-265-3994 www.calhounsuperstructure.com	
			NAME R D B	DATE 21/11/2018
			CHECKED A G B	DATE 21/11/2018
			ENG. APPR.	
			PROPRIETARY AND CONFIDENTIAL THE INFORMATION CONTAINED IN THIS DRAWING IS THE SOLE PROPERTY OF CALHOUN SUPERSTRUCTURE. ANY REPRODUCTION IN PART OR AS A WHOLE WITHOUT THE WRITTEN PERMISSION OF CALHOUN SUPERSTRUCTURE IS PROHIBITED	
No.	DESCRIPTION	DATE	SCALE:	DWG. NO.
REVISION / ISSUE			N T S	GB-52
			SHEET 2 OF 2	