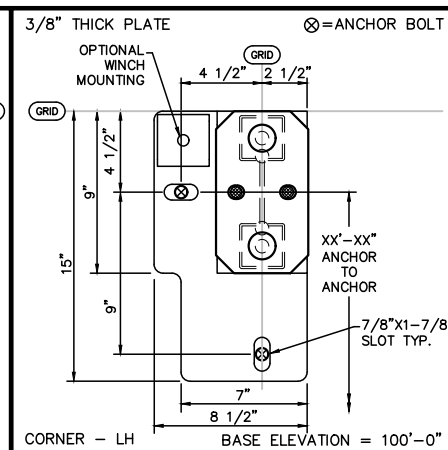
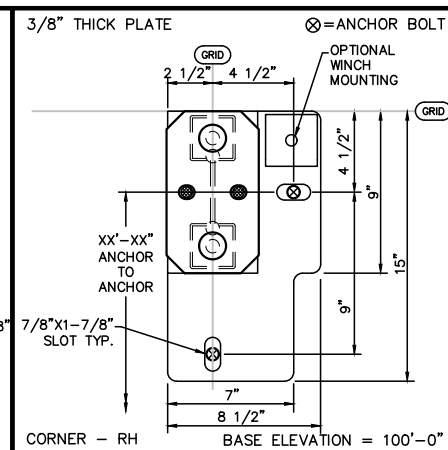
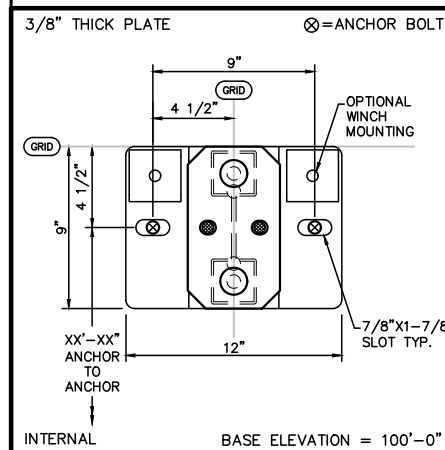
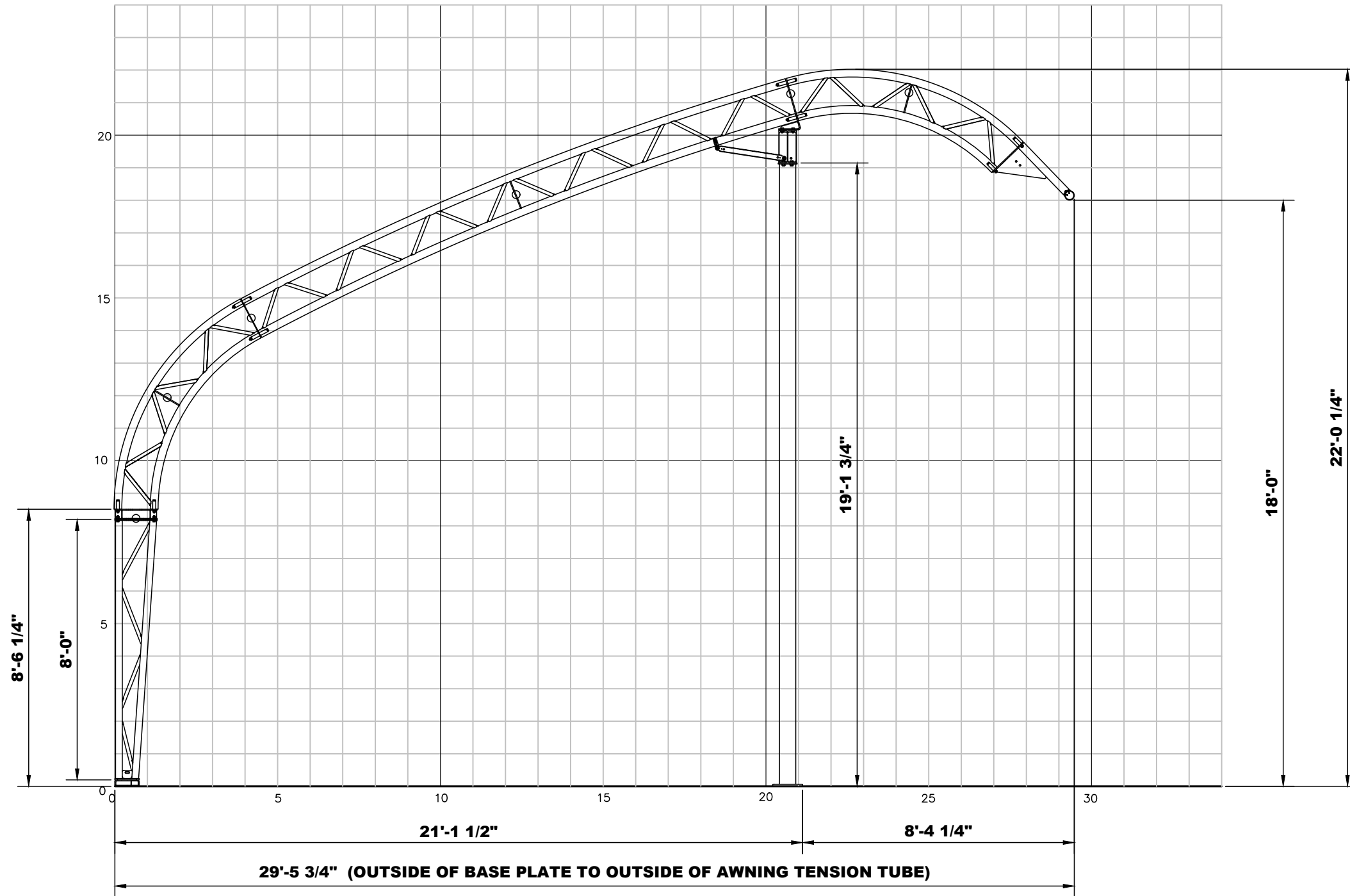



T:\Engineering\Grid Profiles\2018\ACAD\Grid Profiles\GB-SE-8' Awning\GB-SE-8' STEEL LEG-8' AWNING PROFILES.dwg
Feb 21, 2019 - 3:07pm



Calhoun Superstructure Ltd. 3702 Bruce Rd #10 Tara, Ontario, Canada M9H 2N0 800-265-3994 www.calhounsuperstructure.com		
NAME	DATE	
R D B	21/11/2018	
CHECKED	A G B 21/11/2018	
ENG. APPR.		
<small>PROPRIETARY AND CONFIDENTIAL THE INFORMATION CONTAINED IN THIS DRAWING IS THE SOLE PROPERTY OF CALHOUN SUPERSTRUCTURE. ANY REPRODUCTION IN PART OR AS A WHOLE WITHOUT THE WRITTEN PERMISSION OF CALHOUN SUPERSTRUCTURE IS PROHIBITED</small>		
No.	DESCRIPTION	DATE
REVISION / ISSUE		



CALHOUN

**20' GB-SE PROFILE
SERIES 1
8' AWNING - 8'-0" STEEL LEG**

SIZE	DWG. NO.
D	GB-SE20
SCALE:	
N T S	SHEET 1 OF 1