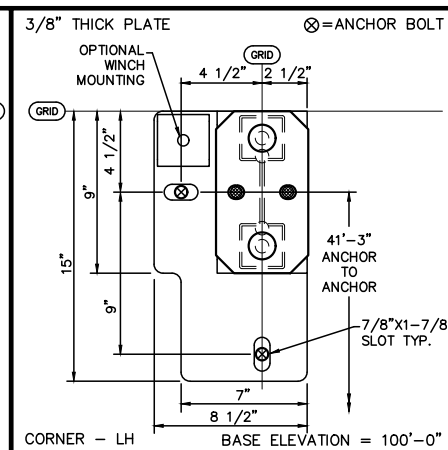
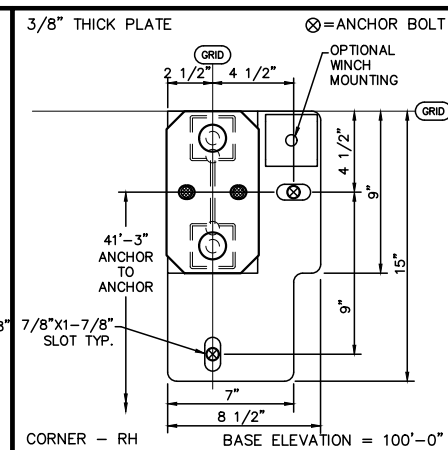
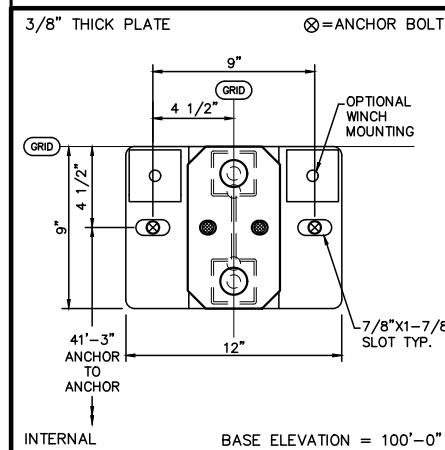
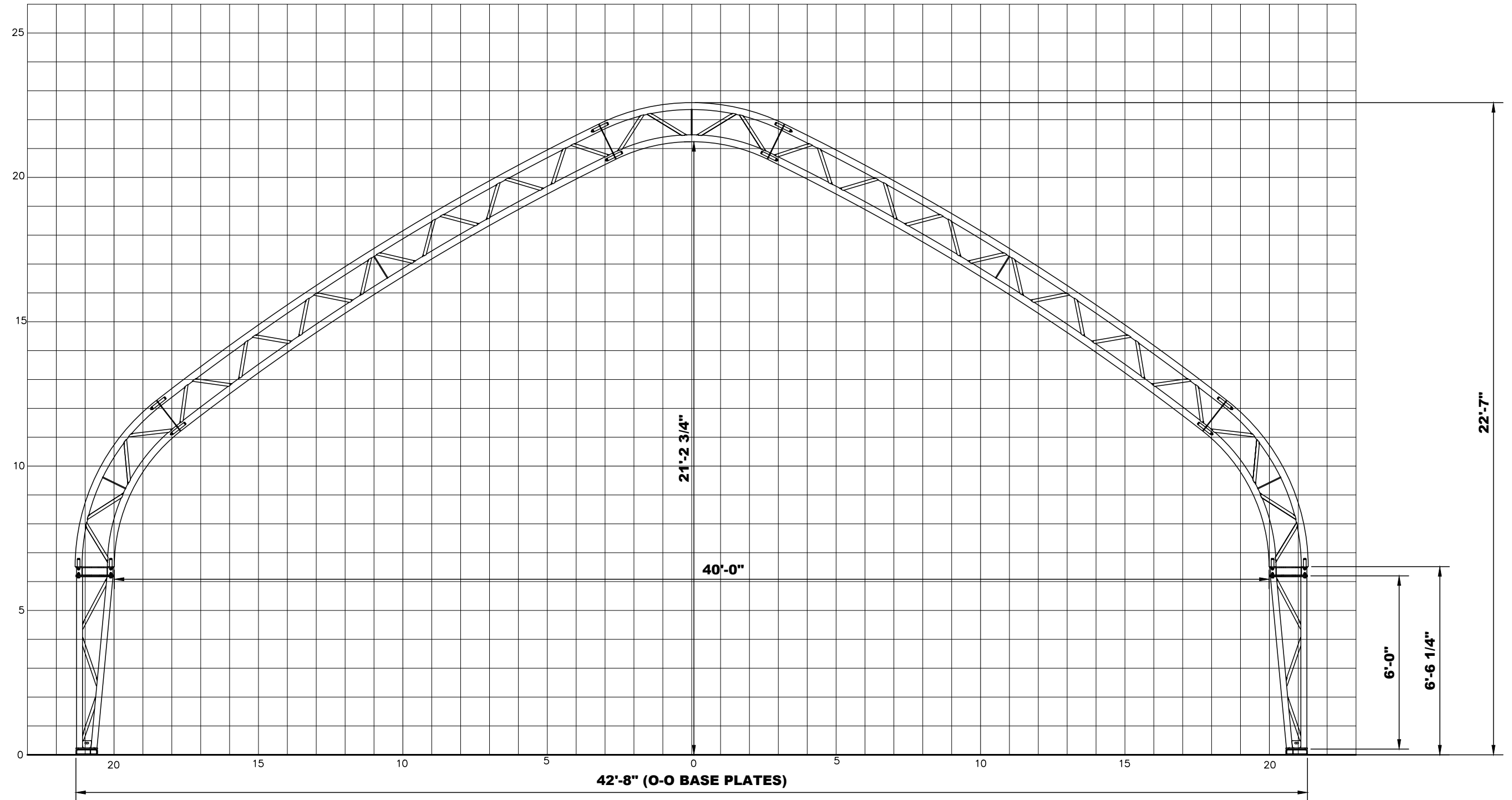


C:\Users\Ybrown\AppData\Local\Temp\AcPublish_6304\GB 6 STEEL LEG PROFILES.dwg Dec 05, 2018 - 10:48am



Calhoun Superstructure Ltd. 3702 Bruce Rd #10 Tara, Ontario, Canada M0H 2N0 800-265-3994 www.calhounsuperstructure.com		
NAME	DATE	
R D B	21/11/2018	
CHECKED	A G B 21/11/2018	
ENG. APPR.		
<small>PROPRIETARY AND CONFIDENTIAL THE INFORMATION CONTAINED IN THIS DRAWING IS THE SOLE PROPERTY OF CALHOUN SUPERSTRUCTURE. ANY REPRODUCTION IN PART OR AS A WHOLE WITHOUT THE WRITTEN PERMISSION OF CALHOUN SUPERSTRUCTURE IS PROHIBITED</small>		
No.	DESCRIPTION	DATE
REVISION / ISSUE		

CALHOUN

**42' GB PROFILE
SERIES 1
ON 6'-0" STEEL LEG**

SIZE: **D** DWG. NO. **GB-42**

SCALE: N T S SHEET 1 OF 2