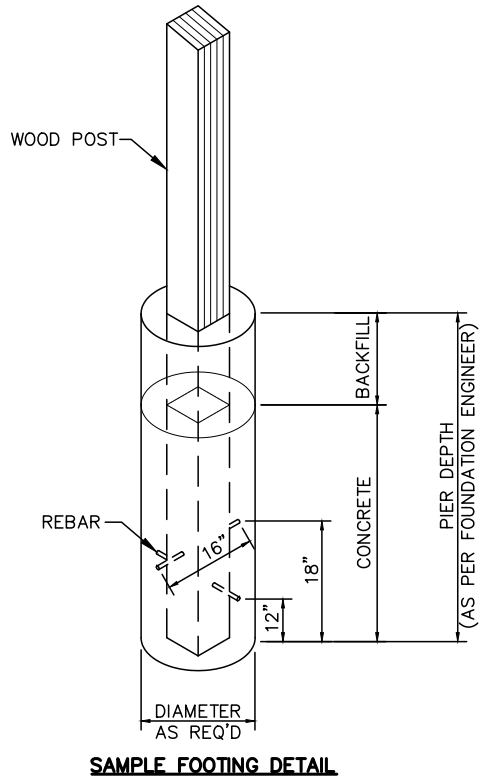
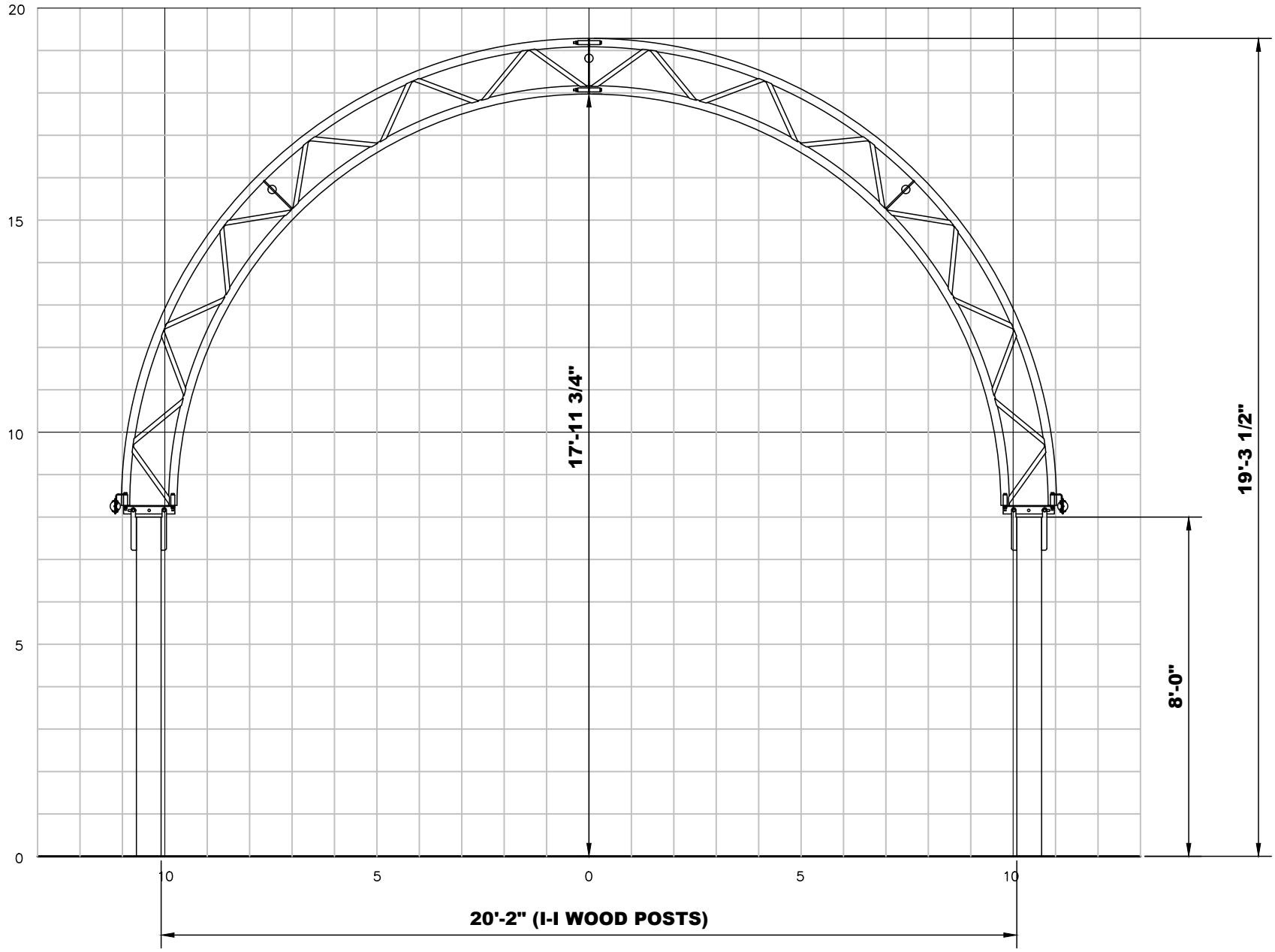



C:\Users\campbell\AppData\Local\Temp\AcPublish_14380\CC_8' WOOD POST PROFILES.dwg
 Oct 03, 2019 5:13pm



		Calhoun Superstructure Ltd. 3702 Bruce Rd #10 Tara, Ontario, Canada N0H 2N0 800-265-3994 www.calhounsuperstructure.com		 22' CC PROFILE ON 8'-0" WOOD POST
		NAME	DATE dd/mm/yyyy	
		DRAWN	L T C 03/10/2019	PROPRIETARY AND CONFIDENTIAL THE INFORMATION CONTAINED IN THIS DRAWING IS THE SOLE PROPERTY OF CALHOUN SUPERSTRUCTURE. ANY REPRODUCTION IN PART OR AS A WHOLE WITHOUT THE WRITTEN PERMISSION OF CALHOUN SUPERSTRUCTURE IS PROHIBITED
		CHECKED	A G B 03/10/2019	
		ENG. APPR.		
No.	DESCRIPTION	DATE	SCALE: D DWG. NO. CC-22	
REVISION / ISSUE			SHEET 1 OF 1 N T S	