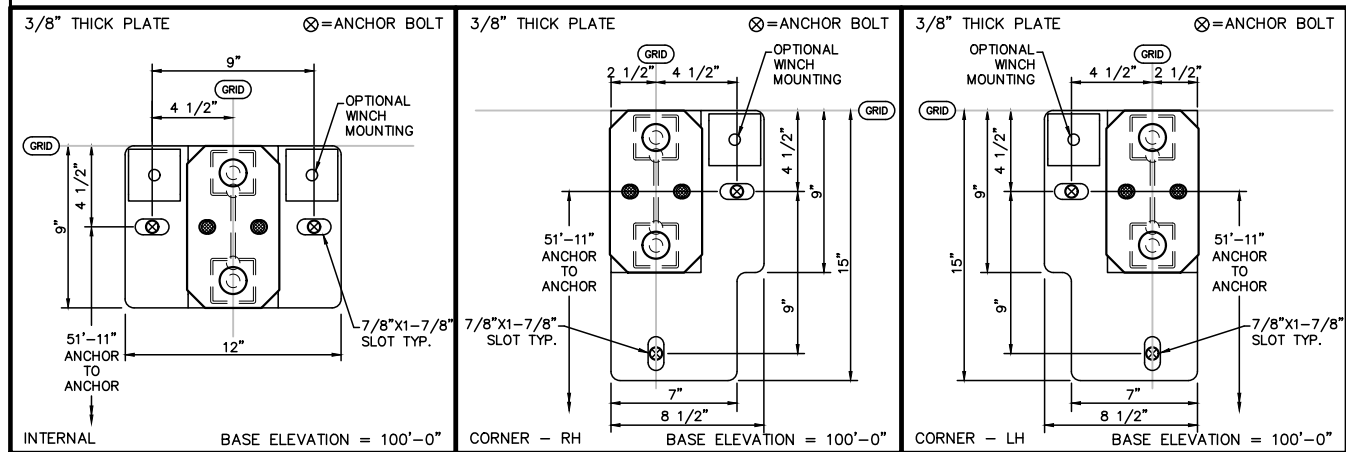
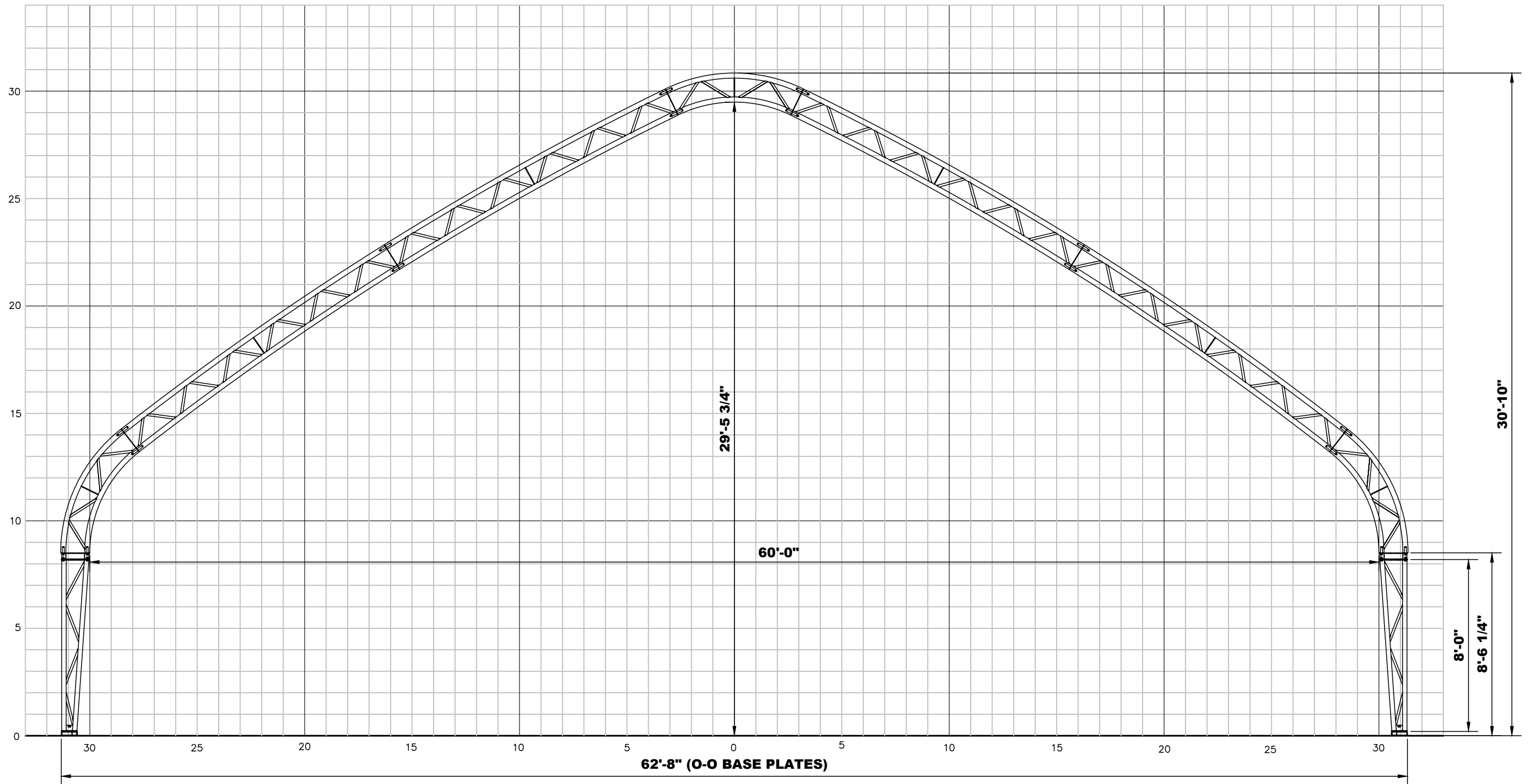



C:\Users\Ybrown\AppData\Local\Temp\AcPublish\_11304\GB 8 STEEL LEG PROFILES.dwg  
 Nov 18, 2020 11:13am



			Calhoun Superstructure Ltd. 3702 Bruce Rd #10 Tara, Ontario, Canada N0H 2N0 800-265-3994 www.calhounsuperstructure.com		  <b>62' GB PROFILE          SERIES 1          ON 8'-0" STEEL LEG</b>
			NAME: R D B DATE: 18/11/2020 CHECKED: A G B DATE: 18/11/2020 ENG. APPR.:	PROPRIETARY AND CONFIDENTIAL THE INFORMATION CONTAINED IN THIS DRAWING IS THE SOLE PROPERTY OF CALHOUN SUPERSTRUCTURE. ANY REPRODUCTION IN PART OR AS A WHOLE WITHOUT THE WRITTEN PERMISSION OF CALHOUN SUPERSTRUCTURE IS PROHIBITED.	
No.	DESCRIPTION	DATE	SIZE: <b>D</b> DWG. NO.: <b>GB-62</b> SCALE: N T S SHEET 4 OF 4		
REVISION / ISSUE					