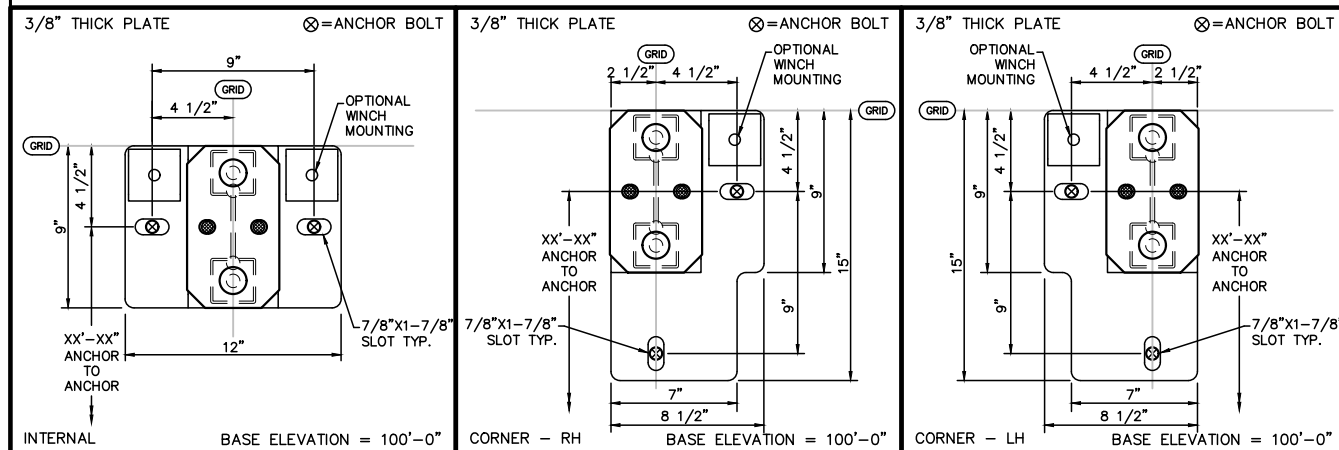
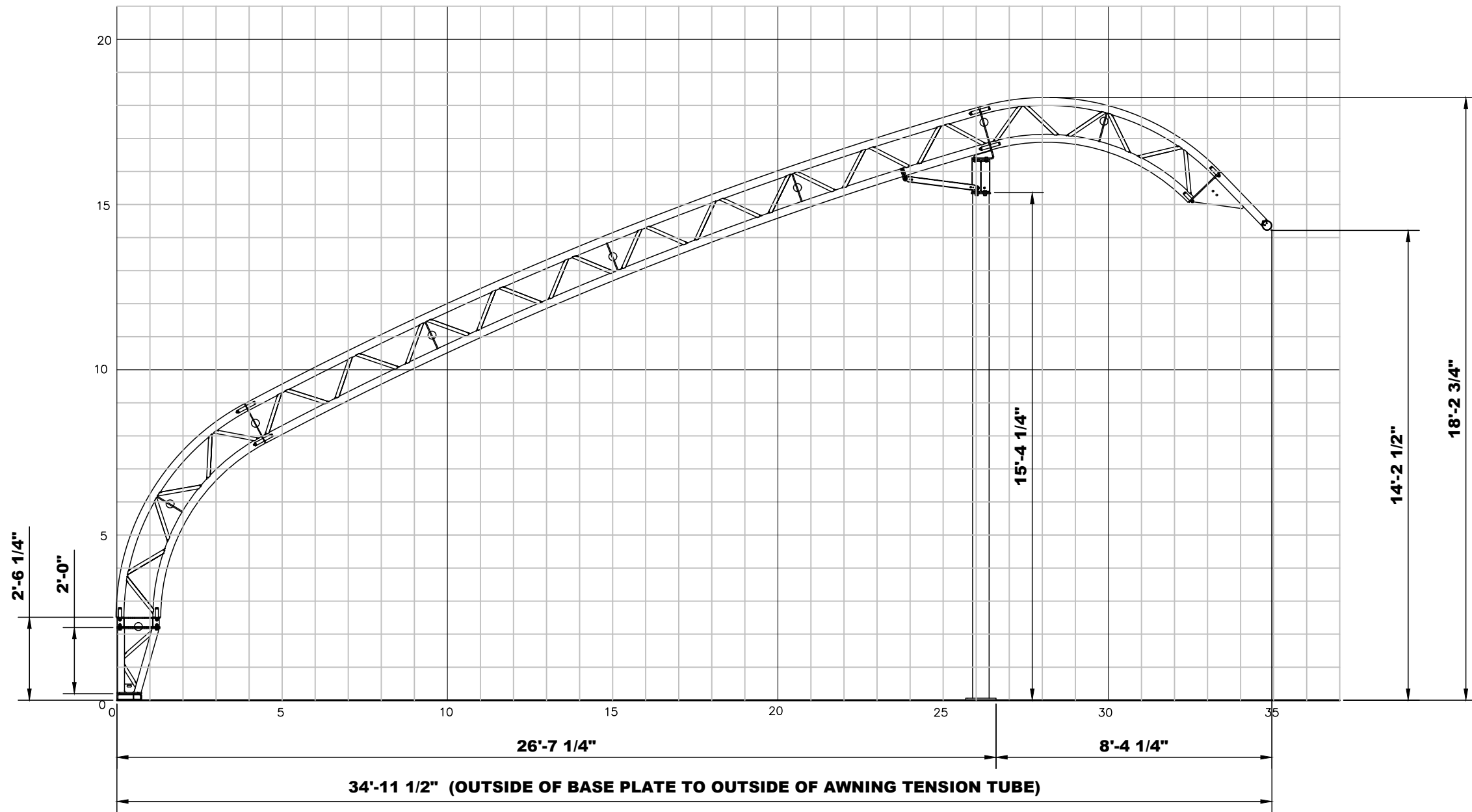


C:\Users\ybrown\AppData\Local\Temp\AcPublish_11304\GB-SE 2' STEEL LEG-8' AWNING PROFILES.dwg
 Nov 19, 2020 - 8:01am



			Calhoun Superstructure Ltd. 3702 Bruce Rd #10 Tara, Ontario, Canada N0H 2N0 800-265-3994 www.calhounsuperstructure.com		
			NAME	DATE	
			DRAWN	R D B	18/11/2020
			CHECKED	A G B	18/11/2020
			ENG. APPR.		
			PROPRIETARY AND CONFIDENTIAL THE INFORMATION CONTAINED IN THIS DRAWING IS THE SOLE PROPERTY OF CALHOUN SUPERSTRUCTURE. ANY REPRODUCTION IN PART OR AS A WHOLE WITHOUT THE WRITTEN PERMISSION OF CALHOUN SUPERSTRUCTURE IS PROHIBITED		
No.	DESCRIPTION	DATE	SIZE	DWG. NO.	
	REVISION / ISSUE		D	GB-SE25	
			SCALE:	N T S	SHEET 2 OF 3