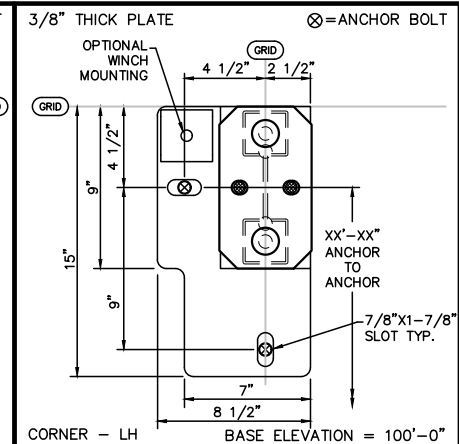
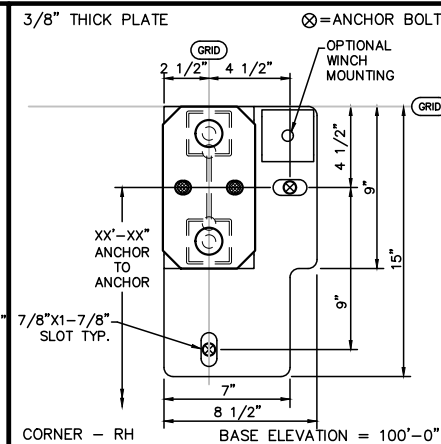
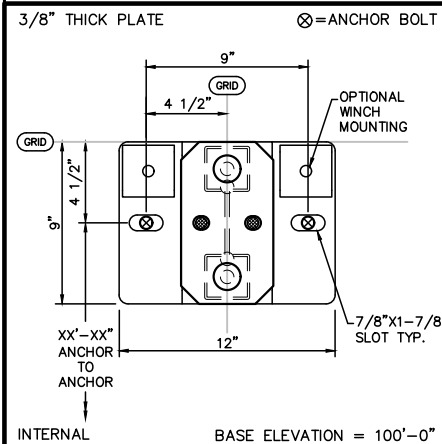
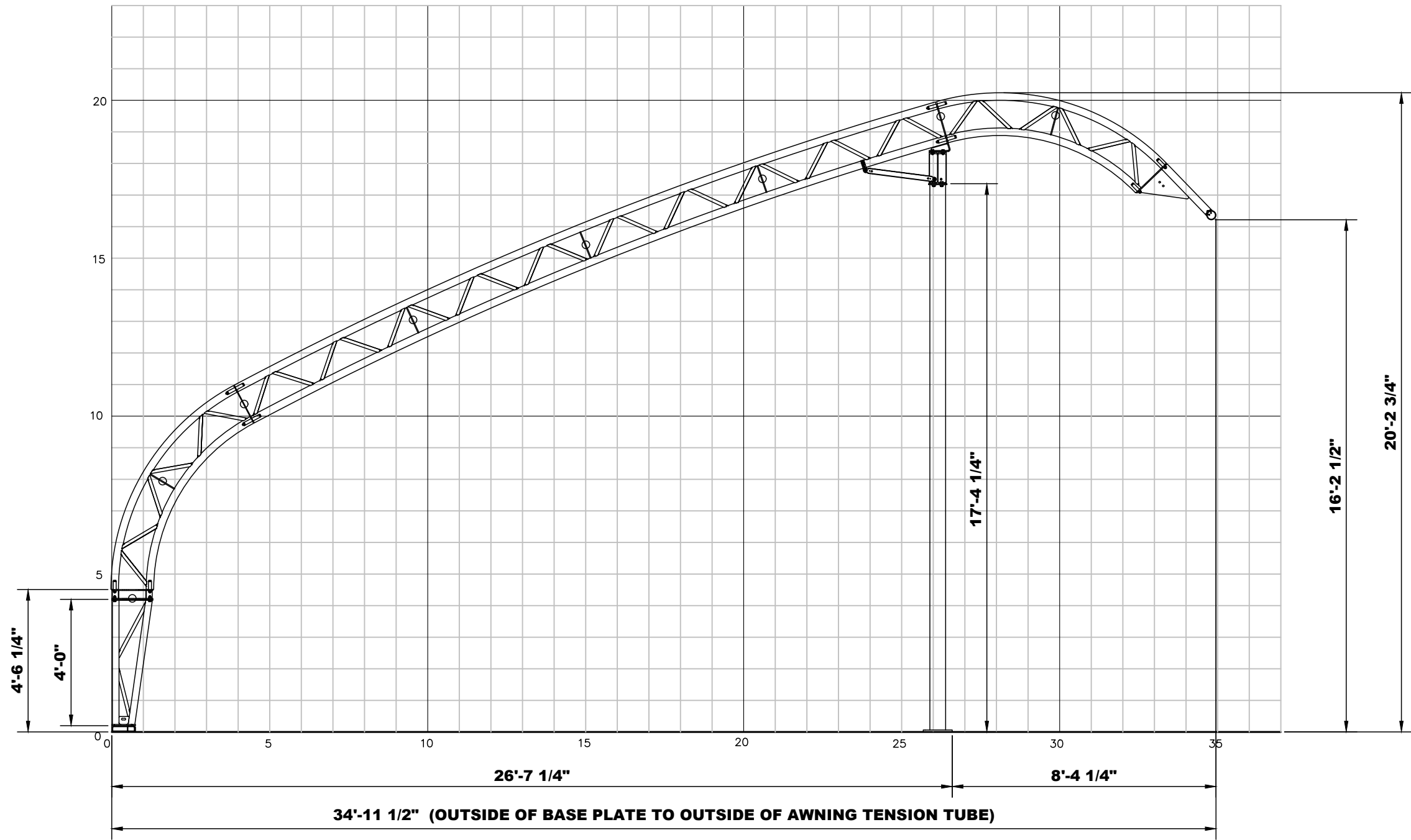



C:\Users\ybrown\AppData\Local\Temp\AcPublish_11304\GB-SE_4_STEEL_LEG-8_AWNING_PROFILES.dwg
 Nov 18, 2020 8:03am



Calhoun Superstructure Ltd. 3702 Bruce Rd #10 Tara, Ontario, Canada NOH 2N0 800-265-3994 www.calhounsuperstructure.com		
NAME	DATE	
R D B	18/11/2020	
CHECKED	A G B 18/11/2020	
ENG. APPR.		
PROPRIETARY AND CONFIDENTIAL THE INFORMATION CONTAINED IN THIS DRAWING IS THE SOLE PROPERTY OF CALHOUN SUPERSTRUCTURE. ANY REPRODUCTION IN PART OR AS A WHOLE WITHOUT THE WRITTEN PERMISSION OF CALHOUN SUPERSTRUCTURE IS PROHIBITED		
No.	DESCRIPTION	DATE
REVISION / ISSUE		



**25' GB-SE PROFILE
 SERIES 1
 8' AWNING - 4'-0" STEEL LEG**

SCALE: **D** DWG. NO. **GB-SE25**

N T S SHEET 2 OF 3