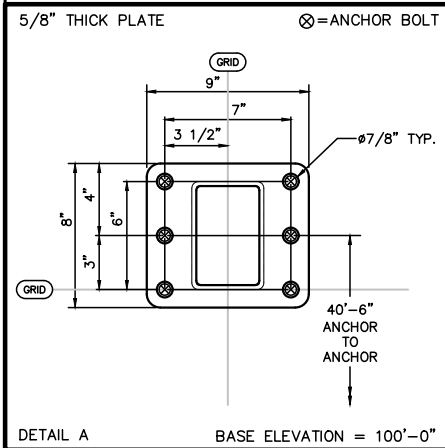
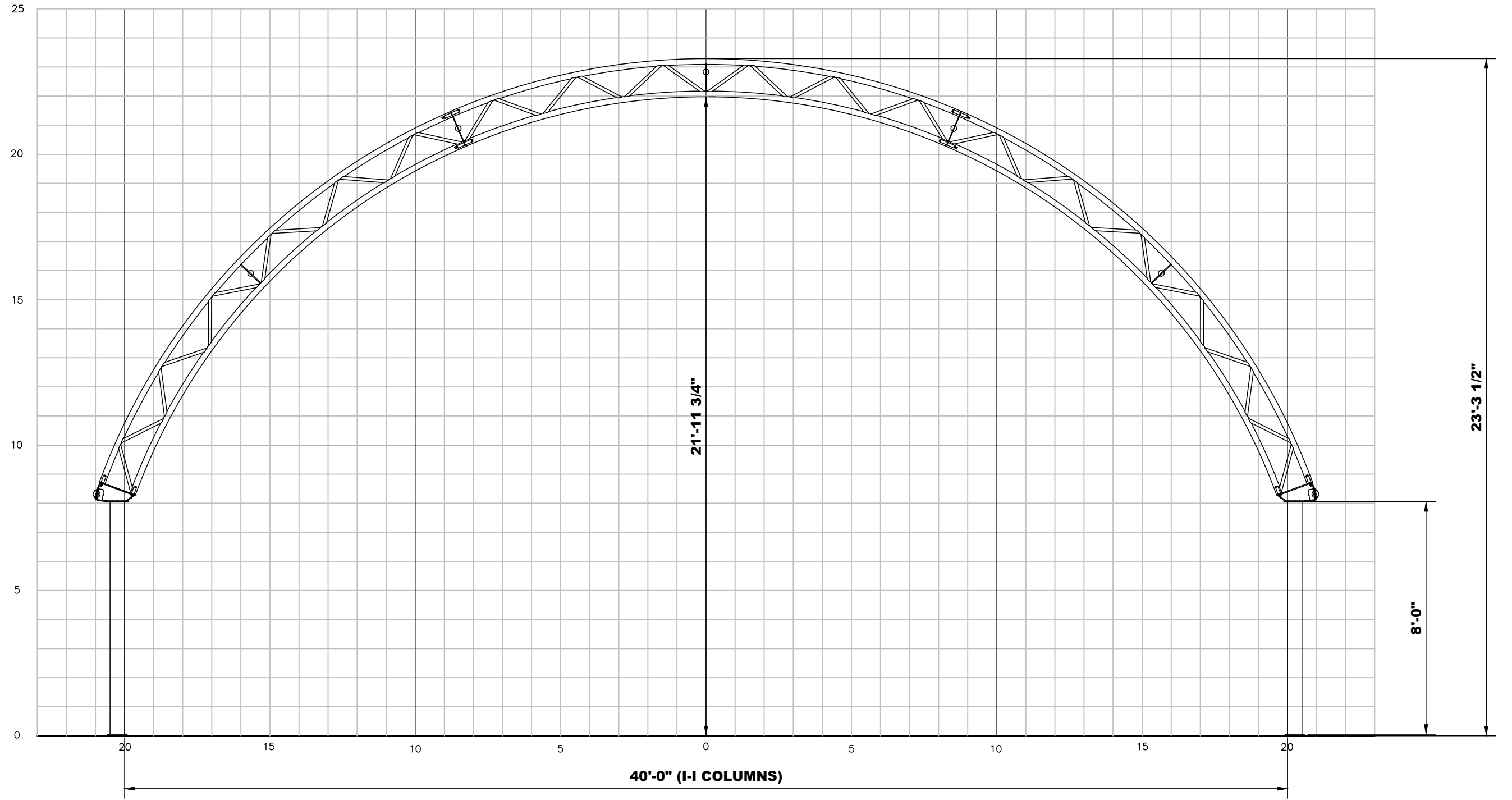


T:\Engineering\Grid Profiles\2018\ACAD\Grid Profiles\CC\CC 8' HSS LEG PROFILES.dwg
 Apr 22, 2019 - 4:05pm



			Calhoun Superstructure Ltd. 3702 Bruce Rd #10 Tara, Ontario, Canada N0H 2N0 800-265-3994 www.calhounsuperstructure.com		
			NAME	DATE	
			DRAWN	L T C	22/04/2019
			CHECKED	A G B	22/04/2019
			ENG. APPR.		
			PROPRIETARY AND CONFIDENTIAL THE INFORMATION CONTAINED IN THIS DRAWING IS THE SOLE PROPERTY OF CALHOUN SUPERSTRUCTURE. ANY REPRODUCTION IN PART OR AS A WHOLE WITHOUT THE WRITTEN PERMISSION OF CALHOUN SUPERSTRUCTURE IS PROHIBITED		
No.	DESCRIPTION	DATE	SIZE	DWG. NO.	
	REVISION / ISSUE		D	CC-42	
			SCALE:	N T S	SHEET 5 OF 7