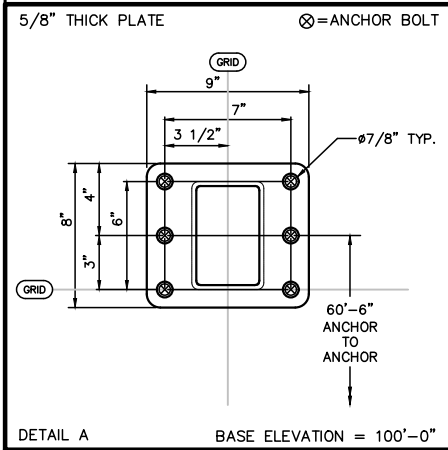
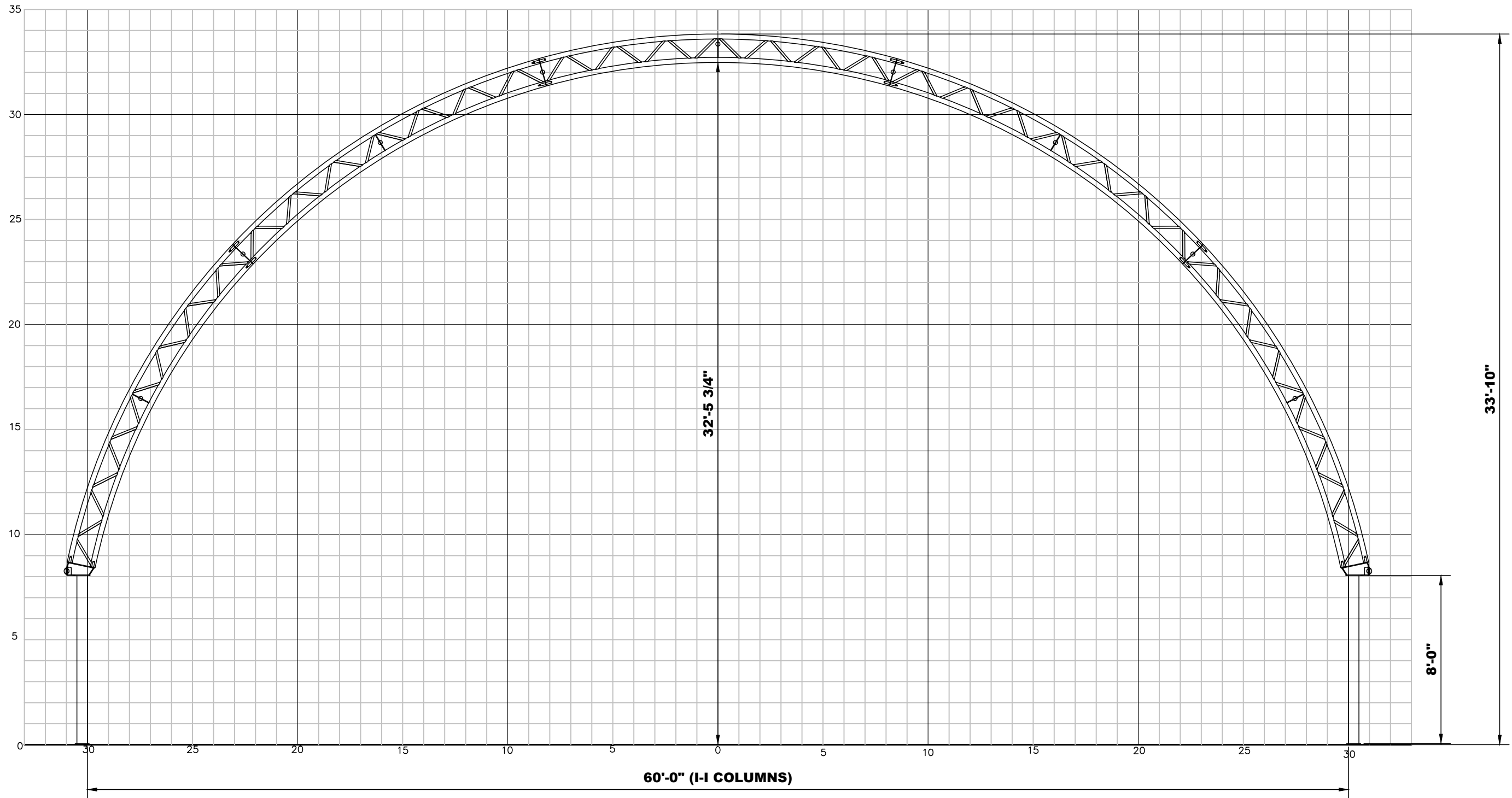


T:\Engineering\Grid Profiles\2018\ACAD\Grid Profiles\CC\CC 8' HSS LEG PROFILES.dwg  
 Apr 22, 2019 - 4:05pm



Calhoun Superstructure Ltd. 3702 Bruce Rd #10 Tara, Ontario, Canada N0H 2N0 800-265-3994 www.calhounsuperstructure.com		
NAME	DATE	
L T C	22/04/2019	DRAWN
A G B	22/04/2019	CHECKED
		ENG. APPR.
PROPRIETARY AND CONFIDENTIAL THE INFORMATION CONTAINED IN THIS DRAWING IS THE SOLE PROPERTY OF CALHOUN SUPERSTRUCTURE. ANY REPRODUCTION IN PART OR AS A WHOLE WITHOUT THE WRITTEN PERMISSION OF CALHOUN SUPERSTRUCTURE IS PROHIBITED		
No.	DESCRIPTION	DATE
REVISION / ISSUE		

**CALHOUN**

**62' CC PROFILE  
ON 8'-0" HSS LEG**

SIZE: **D**      DWG. NO. **CC-62**

SCALE:      SHEET 7 OF 7