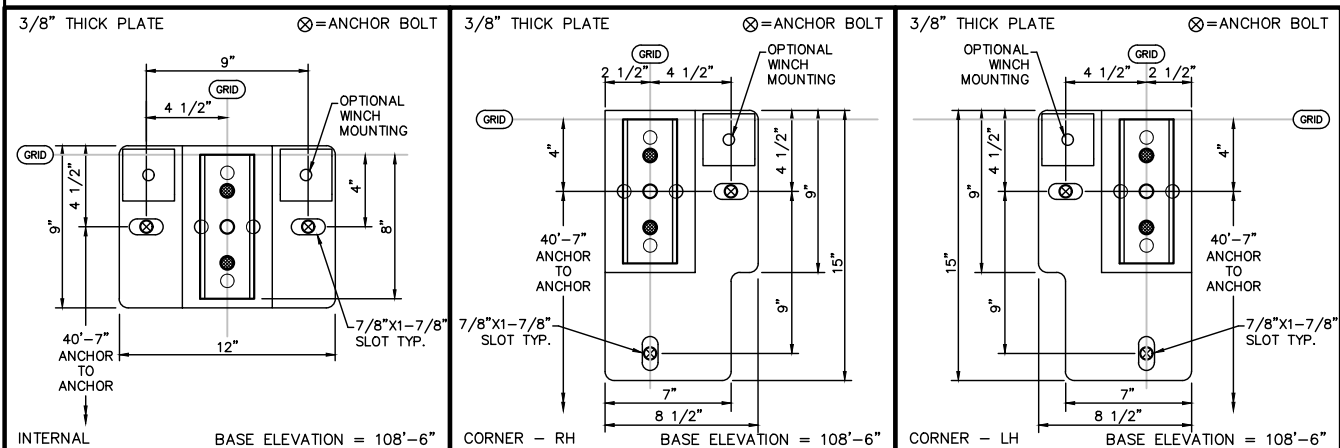
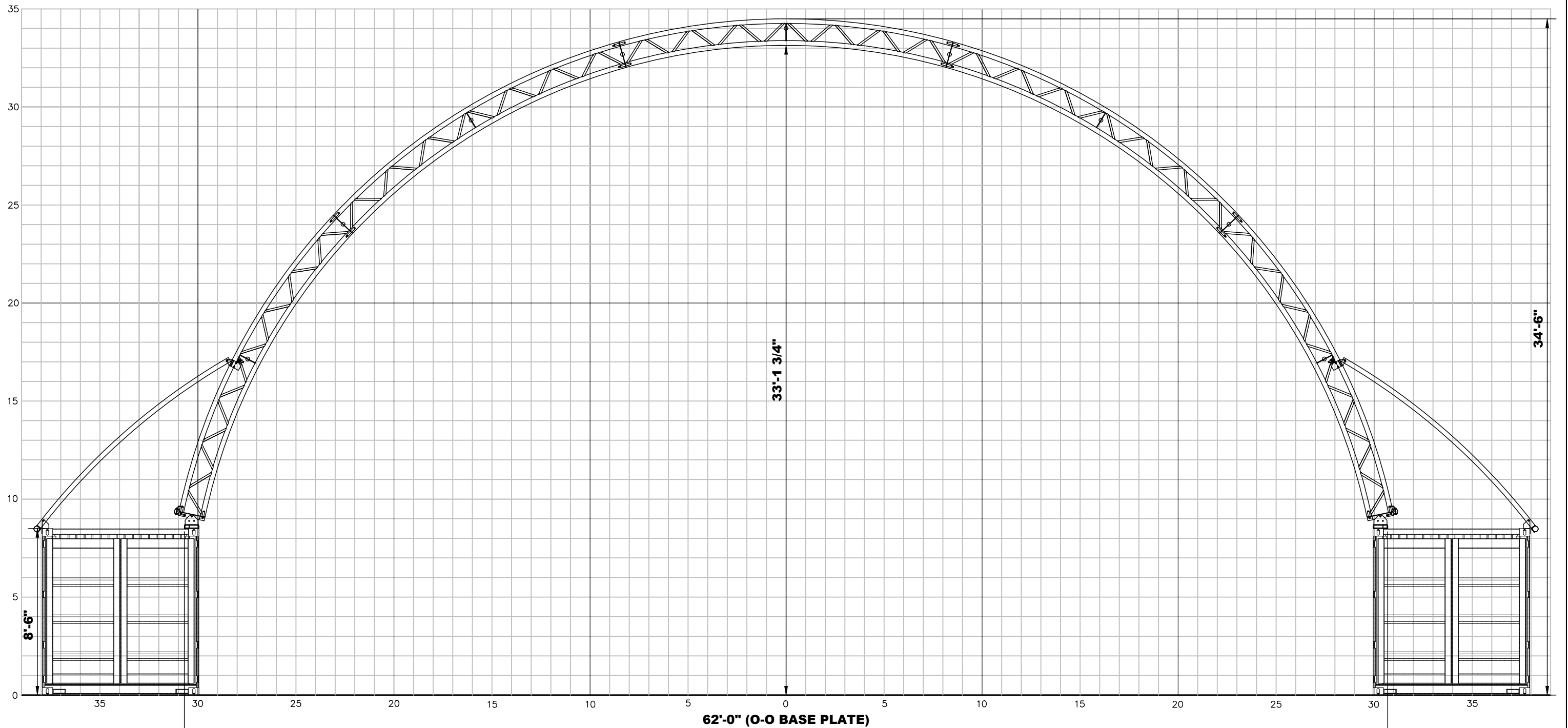


\\corp.calhoun.ca\calshores\General\Engineering\Grid Profiles\2018\ACAD\Grid Profiles\CC\CC CONTAINER PROFILES.dwg
 Nov 04, 2020 - 11:27am



			Calhoun Superstructure Ltd. 3702 Bruce Rd #10 Tara, Ontario, Canada N0H 2N0 800-265-3994 www.calhounsuperstructure.com		
			NAME	DATE	
			DRAWN	A C	04/11/2020
			CHECKED	A G B	04/11/2020
			ENG. APPR.		
			PROPRIETARY AND CONFIDENTIAL THE INFORMATION CONTAINED IN THIS DRAWING IS THE SOLE PROPERTY OF CALHOUN SUPERSTRUCTURE. ANY REPRODUCTION IN PART OR AS A WHOLE WITHOUT THE WRITTEN PERMISSION OF CALHOUN SUPERSTRUCTURE IS PROHIBITED		
No.	DESCRIPTION	DATE	SIZE	DWG. NO.	
			D	CC-62 W.BUNK	
REVISION / ISSUE			SCALE:	N T S SHEET 14 OF 14	