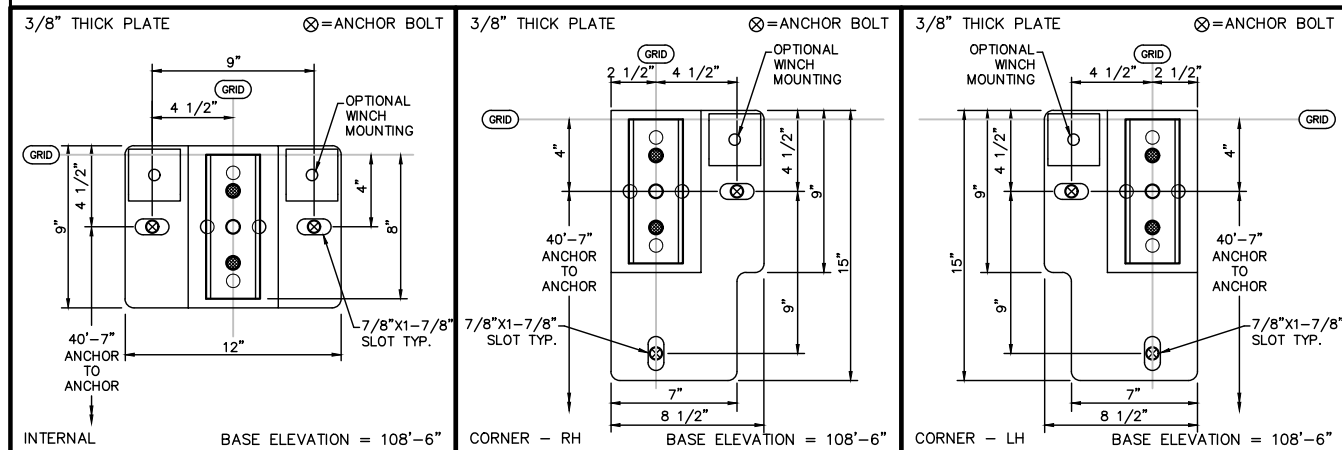
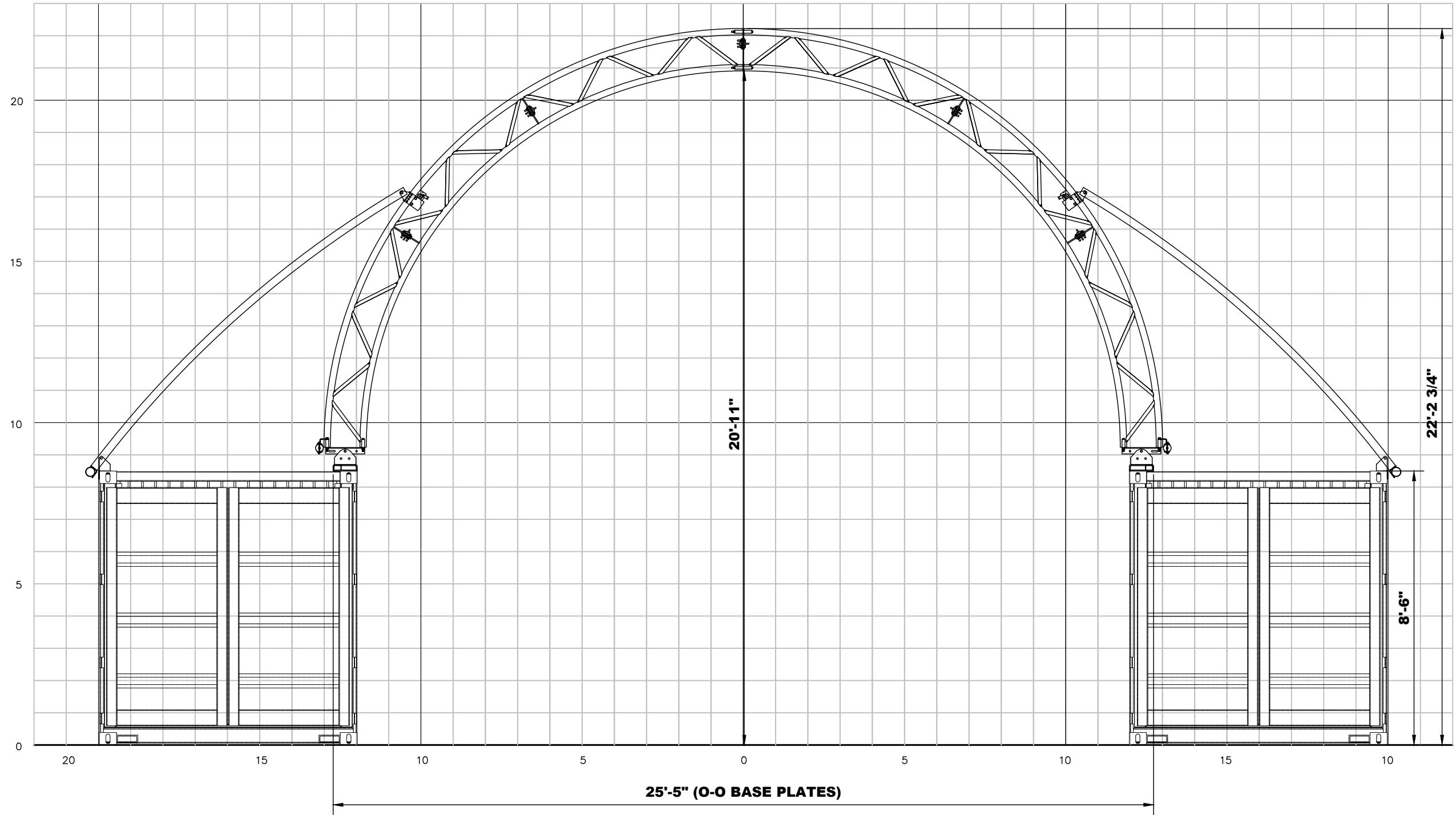



\\corp.calhoun.ca\calshores\General\Engineering\Grid Profiles\2018\ACAD\Grid Profiles\CC\CC CONTAINER PROFILES.dwg
 Nov 04, 2020 - 11:26am



			Calhoun Superstructure Ltd. 3702 Bruce Rd #10 Tara, Ontario, Canada N0H 2N0 800-265-3994 www.calhounsuperstructure.com		
			NAME: A C DATE: 04/11/2020	26' CC PROFILE ON 8'-6" SEA CONTAINERS	
			DRAWN: A C CHECKED: A G B ENG. APPR.:		SIZE: D DWG. NO.: CC-26 W.BUNK
			PROPRIETARY AND CONFIDENTIAL THE INFORMATION CONTAINED IN THIS DRAWING IS THE SOLE PROPERTY OF CALHOUN SUPERSTRUCTURE. ANY REPRODUCTION IN PART OR AS A WHOLE WITHOUT THE WRITTEN PERMISSION OF CALHOUN SUPERSTRUCTURE IS PROHIBITED.		
No.	DESCRIPTION	DATE	SCALE: N T S SHEET 6 OF 14		
REVISION / ISSUE					