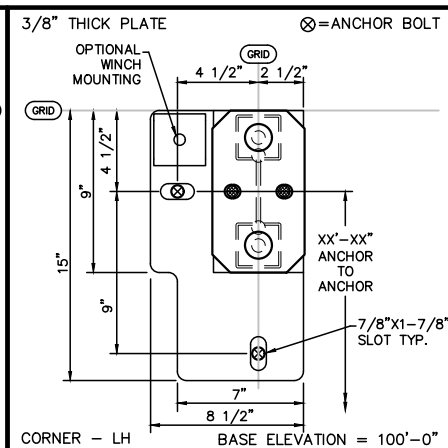
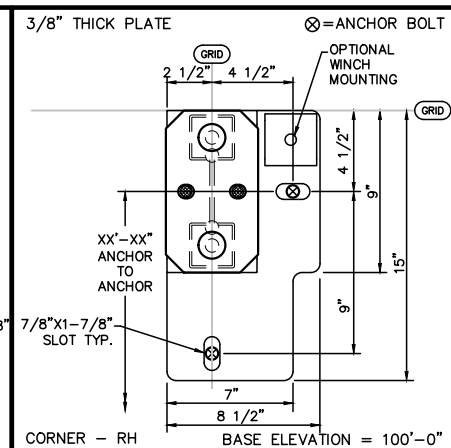
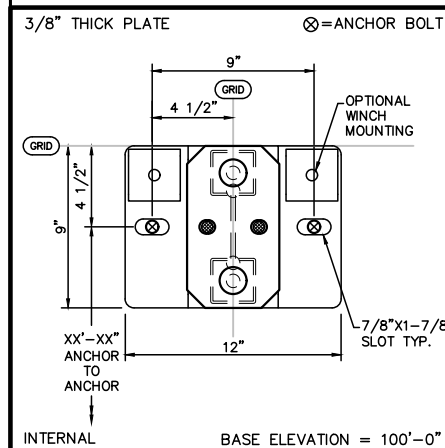
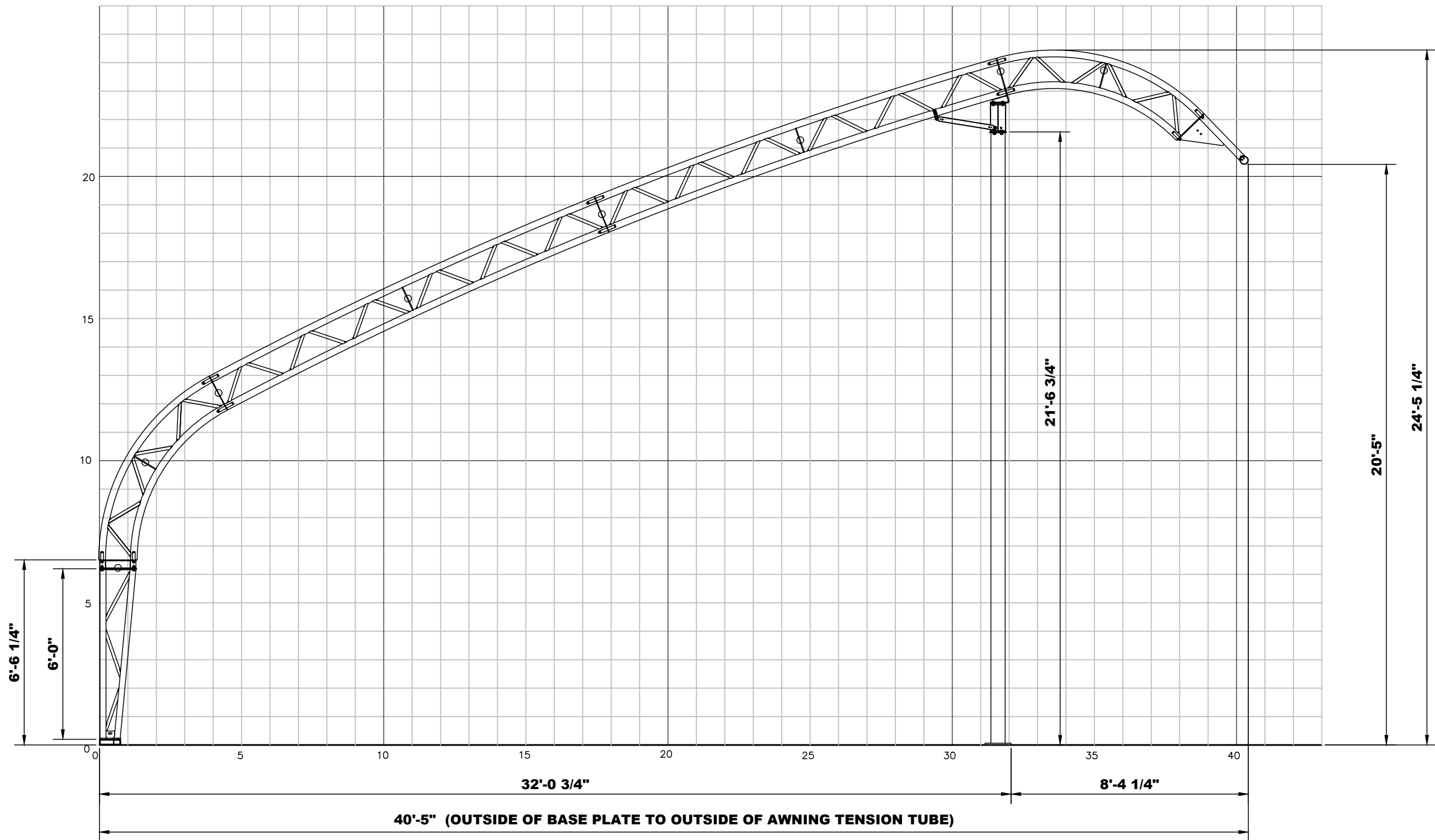


C:\Users\Ybrown\AppData\Local\Temp\AcPublish_11304\GB-SE_6'' STEEL LEG-8'' AWNING PROFILES.dwg
 Nov 18, 2020 8:07am



| | | |
|--|------------------|------|
| Calhoun Superstructure Ltd. 3702 Bruce Rd #10 Tara, Ontario, Canada NOH 2N0 800-265-3994 www.calhounsuperstructure.com | | |
| NAME | DATE | |
| R D B | 18/11/2020 | |
| CHECKED | A G B 18/11/2020 | |
| ENG. APPR. | | |
| PROPRIETARY AND CONFIDENTIAL THE INFORMATION CONTAINED IN THIS DRAWING IS THE SOLE PROPERTY OF CALHOUN SUPERSTRUCTURE. ANY REPRODUCTION IN PART OR AS A WHOLE WITHOUT THE WRITTEN PERMISSION OF CALHOUN SUPERSTRUCTURE IS PROHIBITED | | |
| No. | DESCRIPTION | DATE |
| REVISION / ISSUE | | |

CALHOUN

**30' GB-SE PROFILE
 SERIES 1
 8' AWNING - 6'-0" STEEL LEG**

SIZE: **D** DWG. NO. **GB-SE30**

SCALE: N T S SHEET 3 OF 3