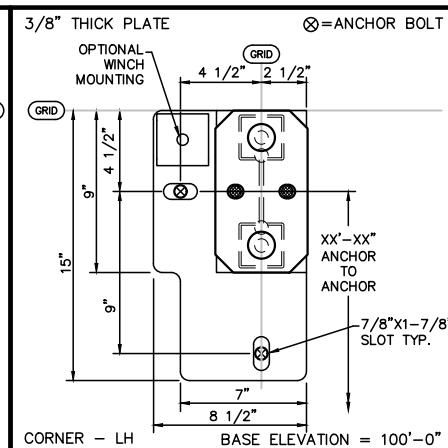
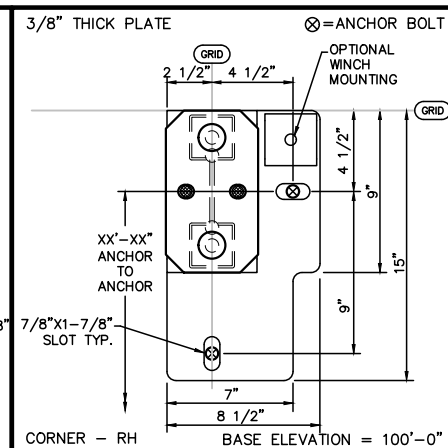
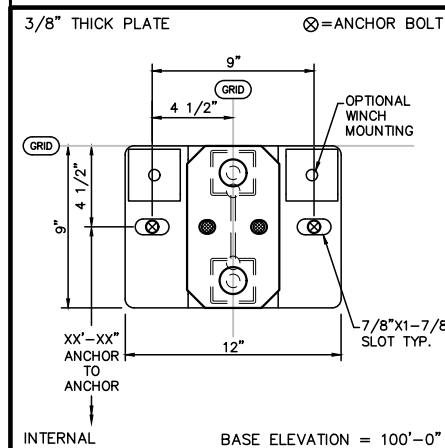
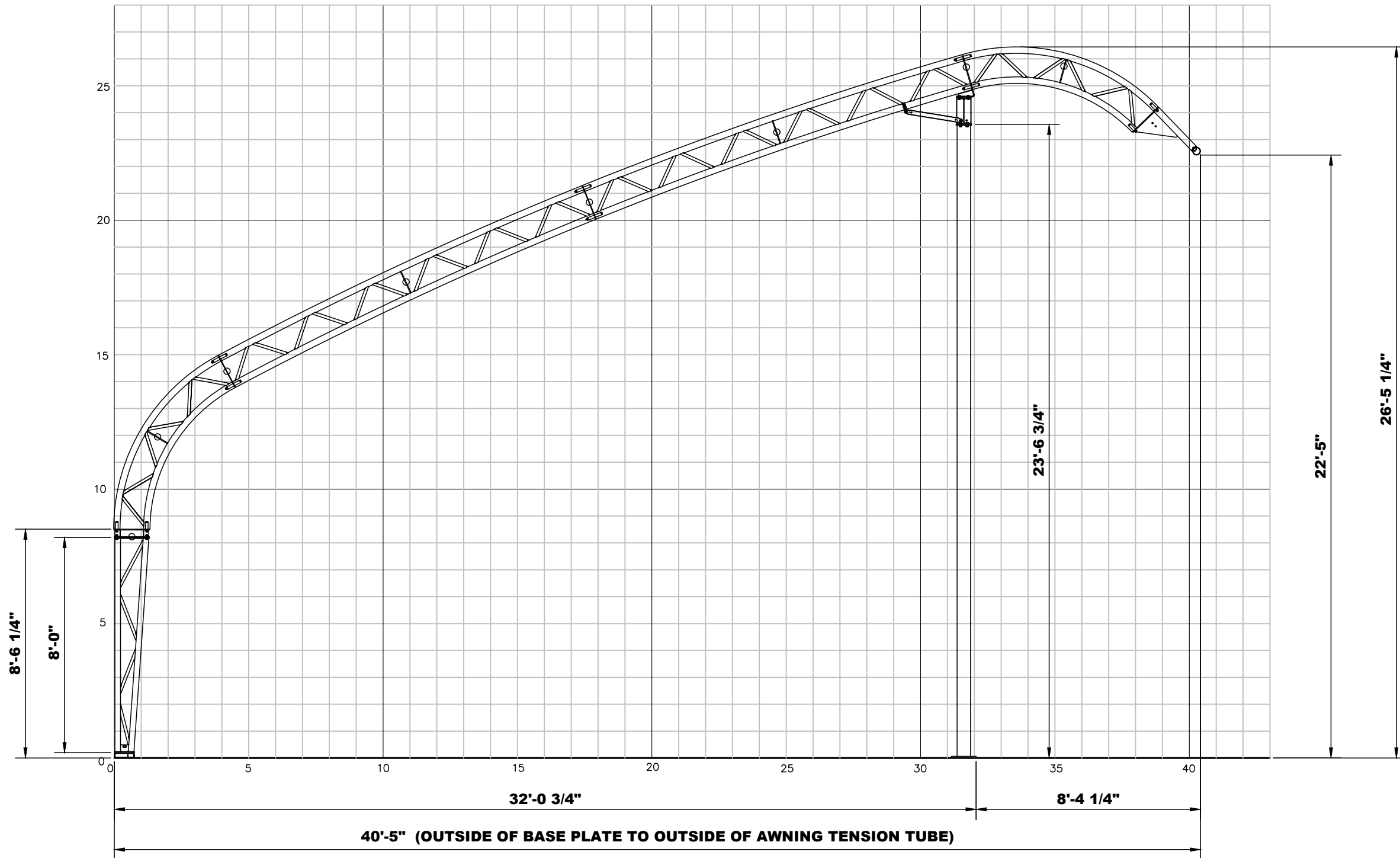



C:\Users\Ybrown\AppData\Local\Temp\AcPublish\_11304\GB-SE\_8' STEEL LEG-8' AWNING PROFILES.dwg  
 Nov 19, 2020 8:10am



			Calhoun Superstructure Ltd. 3702 Bruce Rd #10 Tara, Ontario, Canada NOH 2NO 800-265-3994 www.calhounsuperstructure.com		 <b>30' GB-SE PROFILE          SERIES 1          8' AWNING - 8'-0" STEEL LEG</b>
	NAME	DATE	DRAWN R D B 18/11/2020 CHECKED A G B 18/11/2020 ENG. APPR.		
No.	DESCRIPTION	DATE	PROPRIETARY AND CONFIDENTIAL THE INFORMATION CONTAINED IN THIS DRAWING IS THE SOLE PROPERTY OF CALHOUN SUPERSTRUCTURE. ANY REPRODUCTION IN PART OR AS A WHOLE WITHOUT THE WRITTEN PERMISSION OF CALHOUN SUPERSTRUCTURE IS PROHIBITED		SIZE: <b>D</b> DWG. NO.: <b>GB-SE30</b> SCALE: N T S SHEET 3 OF 3
REVISION / ISSUE					