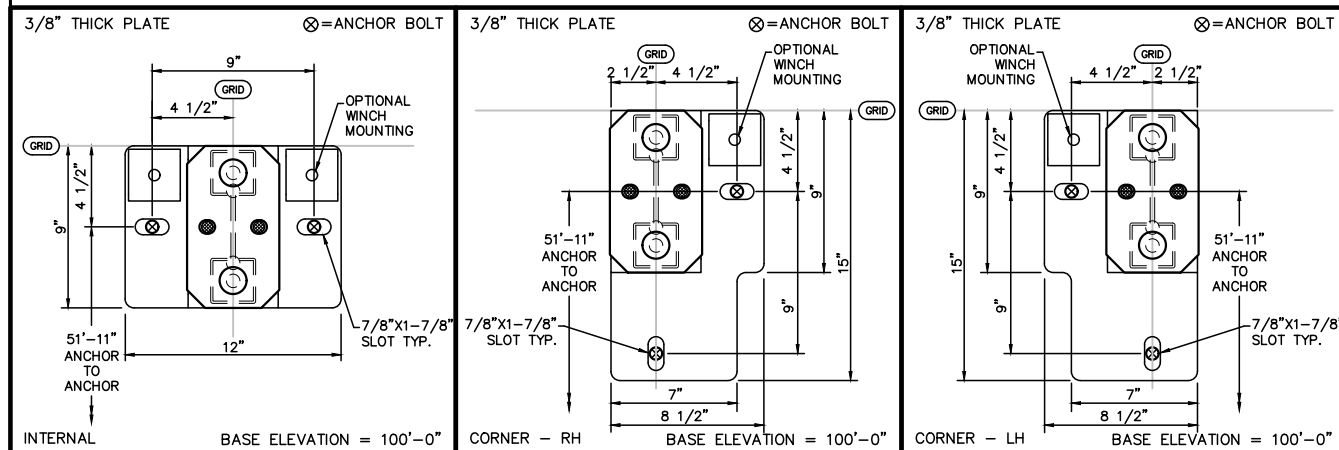
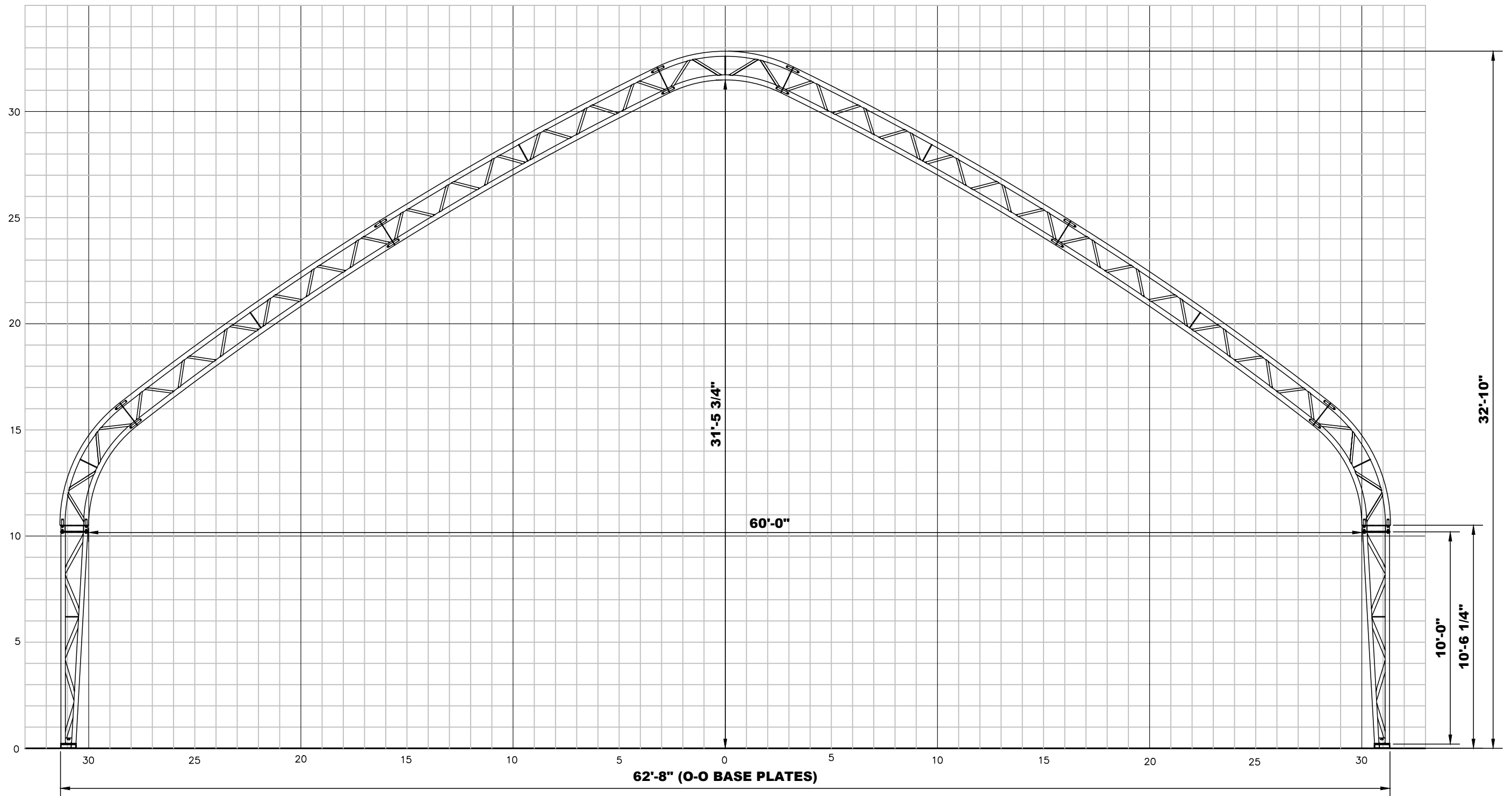


C:\Users\Ybrown\AppData\Local\Temp\AcPublish\_11304\GB 10' STEEL LEG PROFILES.dwg  
 Nov 18, 2020 11:21am



			Calhoun Superstructure Ltd. 3702 Bruce Rd #10 Tara, Ontario, Canada N0H 2N0 800-265-3994 www.calhounsuperstructure.com		
			NAME	DATE	
			DRAWN	R D B	18/11/2020
			CHECKED	A G B	18/11/2020
			ENG. APPR.		
			PROPRIETARY AND CONFIDENTIAL THE INFORMATION CONTAINED IN THIS DRAWING IS THE SOLE PROPERTY OF CALHOUN SUPERSTRUCTURE. ANY REPRODUCTION IN PART OR AS A WHOLE WITHOUT THE WRITTEN PERMISSION OF CALHOUN SUPERSTRUCTURE IS PROHIBITED		
No.	DESCRIPTION	DATE	SIZE	DWG. NO.	
	REVISION / ISSUE		<b>D</b>	<b>GB-62</b>	
			SCALE:	N T S	SHEET 4 OF 4