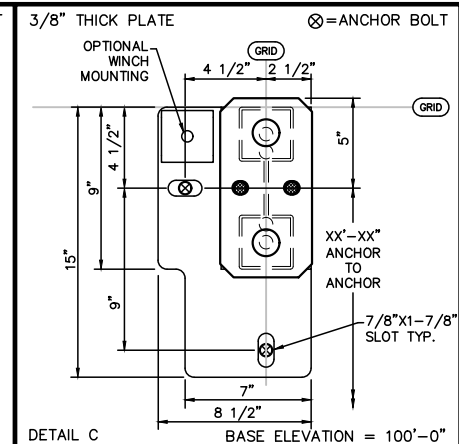
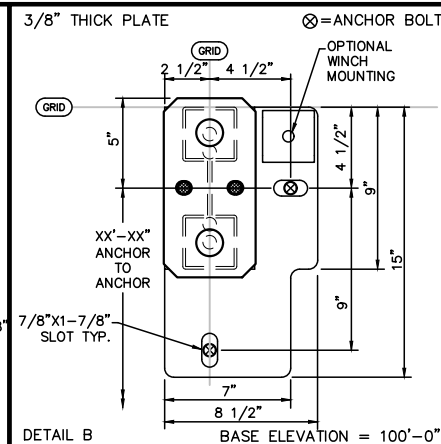
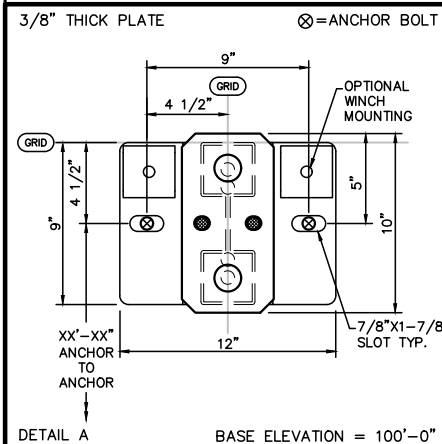
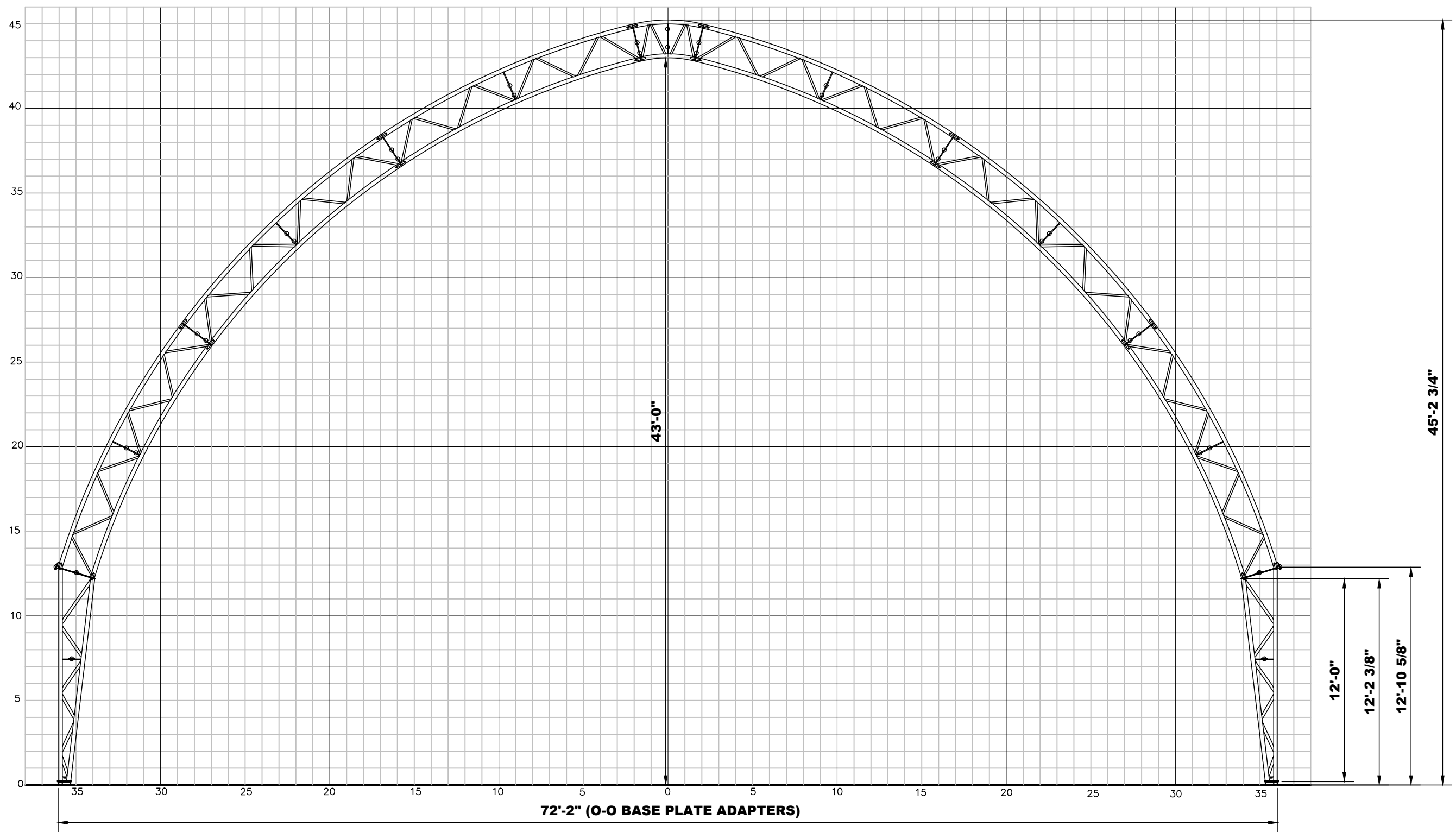


T:\Engineering\Grid Profiles\2018\ACAD\Grid Profiles\HT\HT 12' STEEL LEG PROFILES.dwg
 Mar 15, 2019 - 11:44am



Calhoun Superstructure Ltd. 3702 Bruce Rd #10 Tara, Ontario, Canada M0H 2N0 800-265-3994 www.calhounsuperstructure.com		
NAME	DATE	
R D B	14/03/2019	
CHECKED	A G B	14/03/2019
ENG. APPR.		
PROPRIETARY AND CONFIDENTIAL THE INFORMATION CONTAINED IN THIS DRAWING IS THE SOLE PROPERTY OF CALHOUN SUPERSTRUCTURE. ANY REPRODUCTION IN PART OR AS A WHOLE WITHOUT THE WRITTEN PERMISSION OF CALHOUN SUPERSTRUCTURE IS PROHIBITED.		
No.	DESCRIPTION	DATE
	REVISION / ISSUE	

CALHOUN

**72' HT PROFILE
ON 12'-0" STEEL LEG**

SIZE: **D** DWG. NO.: **HT-72**

SCALE: N T S SHEET 4 OF 5