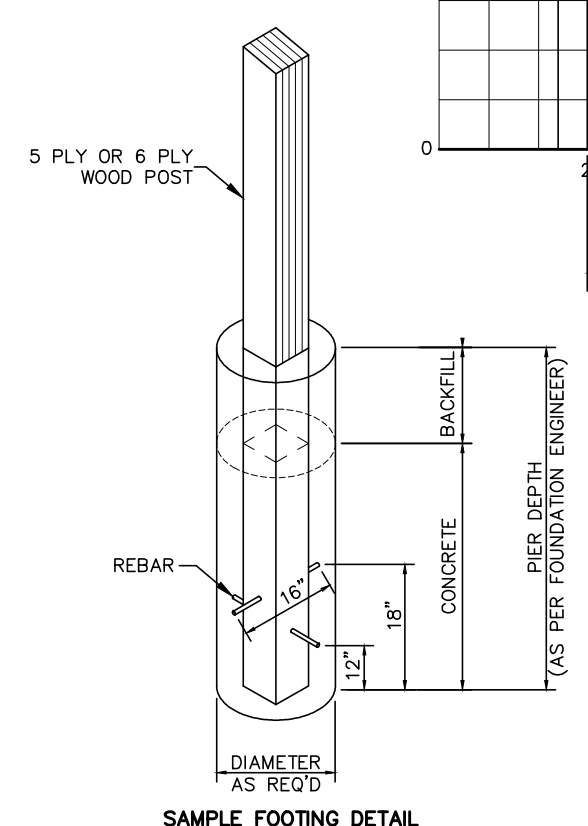
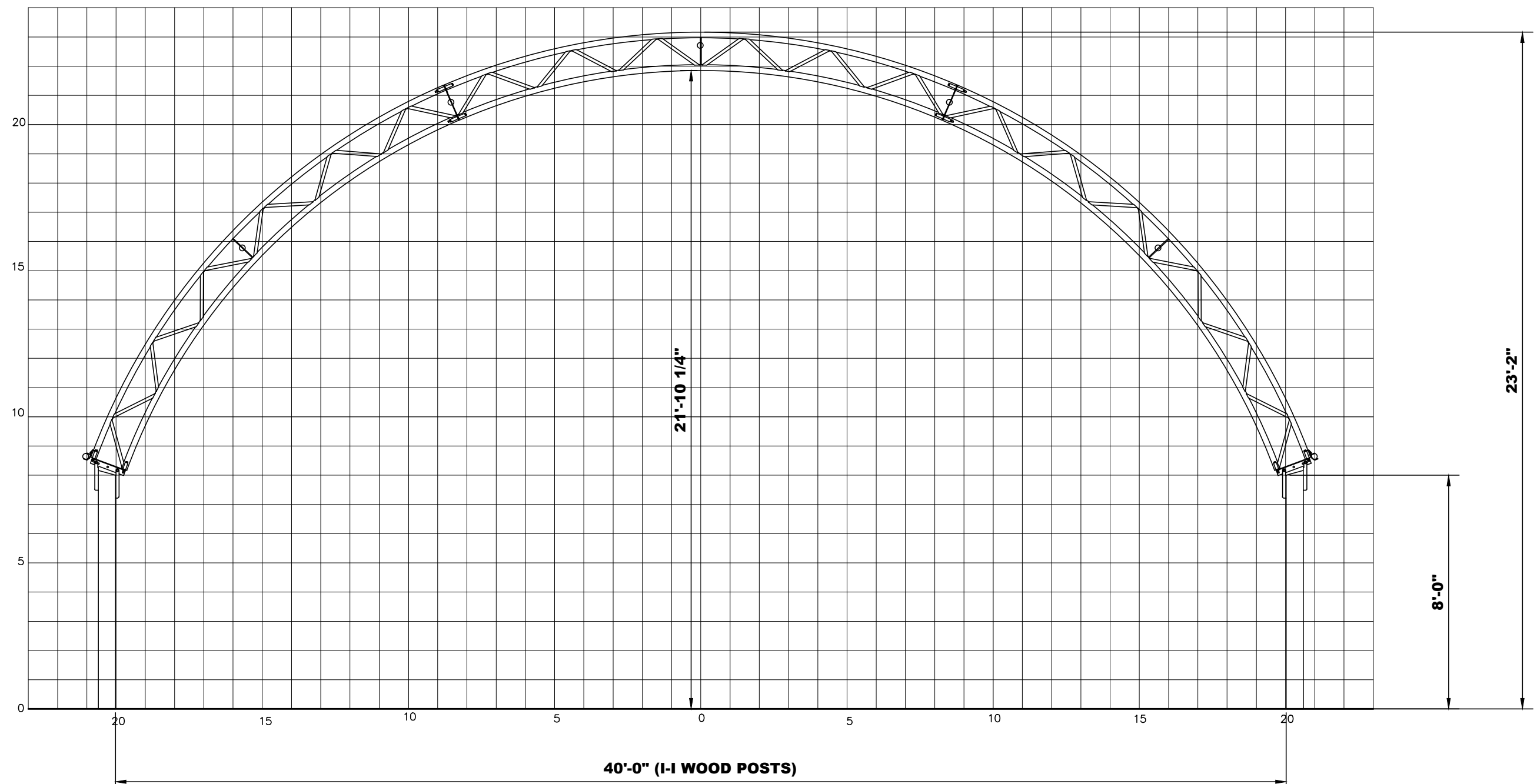


X:\DESIGN\AUTOCAD PROFILE DWG\2014 PROFILES\42 CC WOOD PROFILE.dwg
 Mar 30, 2015 - 2:04pm



Calhoun Superstructure Ltd. 3702 Bruce Rd #10 Tara, Ontario, Canada NOH 2N0 800-265-3994 www.calhounsuperstructure.com					
	NAME	DATE	42' CC PROFILE ON WOOD POST		
	DRAWN	13/06/2014			
	CHECKED	13/06/2014			
	ENG. APPR.				
PROPRIETARY AND CONFIDENTIAL THE INFORMATION CONTAINED IN THIS DRAWING IS THE SOLE PROPERTY OF CALHOUN SUPERSTRUCTURE. ANY REPRODUCTION IN PART OR AS A WHOLE WITHOUT THE WRITTEN PERMISSION OF CALHOUN SUPERSTRUCTURE IS PROHIBITED			SIZE D	DWG. NO. CC-42	
No.	DESCRIPTION	DATE	SCALE: N T S SHEET 1 OF 1		
REVISION / ISSUE					