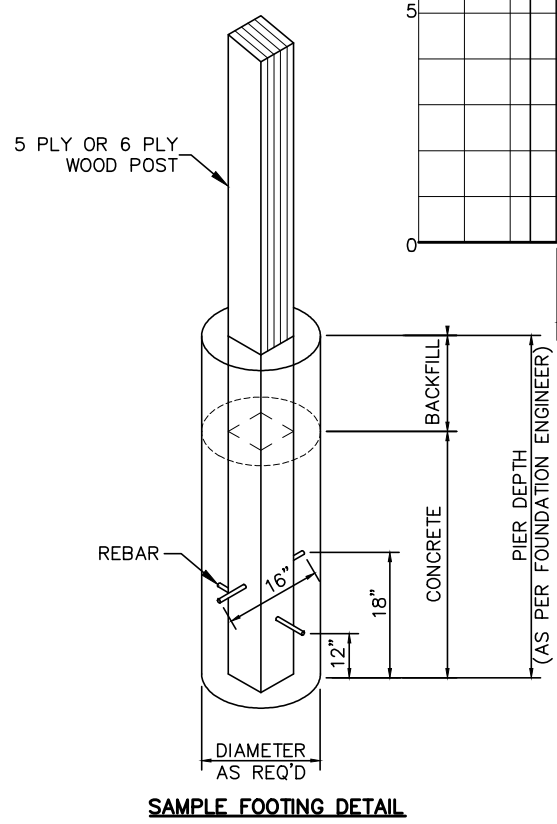
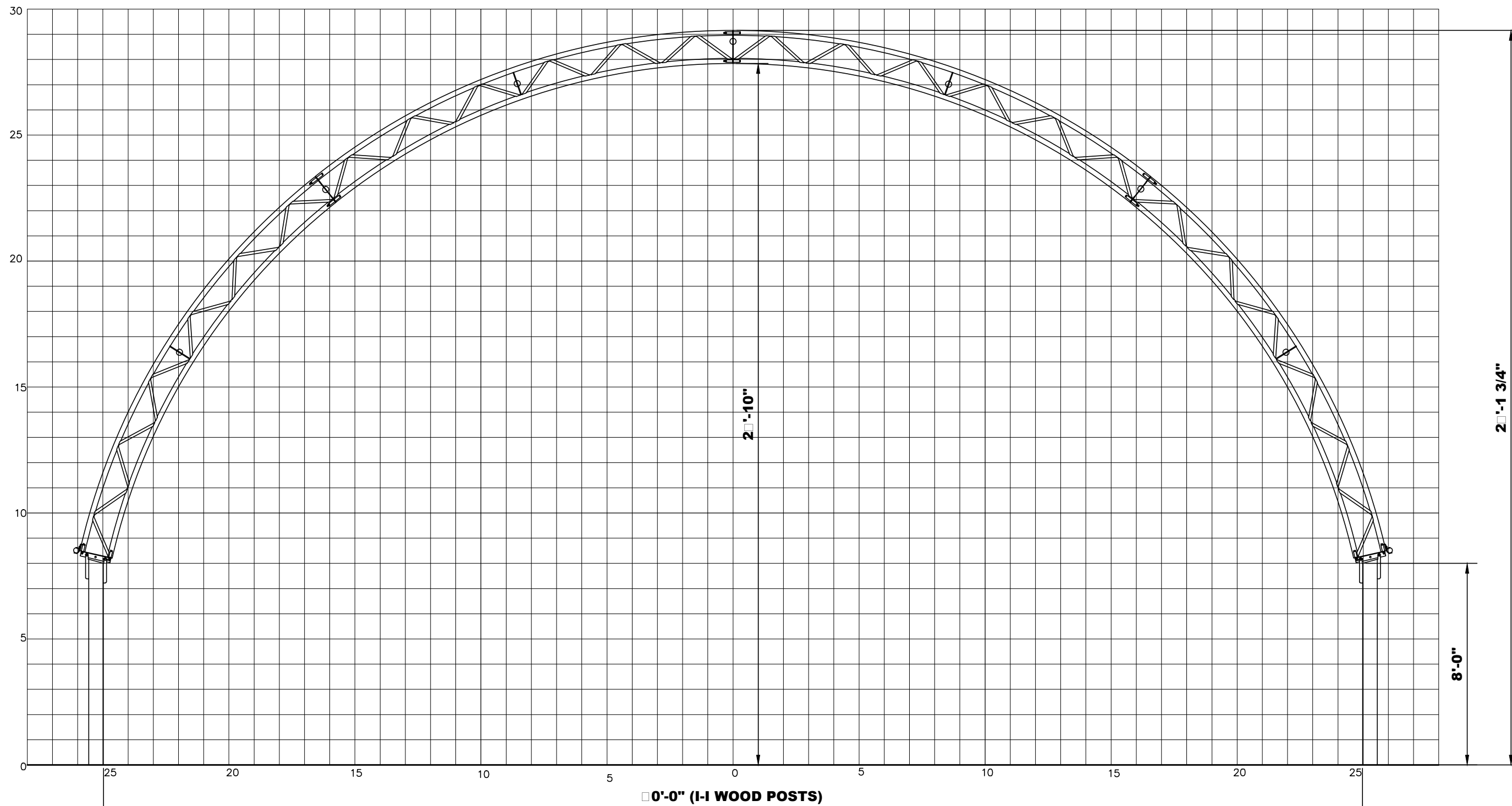


X:\DESIGN\AUTOCAD\PROFILE DWG\2014 PROFILES\52 CC WOOD PROFILE.dwg  
 Mar 30, 2015 - 2:20pm



Calhoun Superstructure Ltd. 3702 Bruce Rd #10 Tara, Ontario, Canada NOH 2N0 800-265-3994 <a href="http://www.calhounsuperstructure.com">www.calhounsuperstructure.com</a>					
			NAME	DATE	<b>52' CC PROFILE ON WOOD POST</b>
			DRAWN L G G	13/06/2014	
			CHECKED R W H	13/06/2014	
			ENG. APPR.		
PROPRIETARY AND CONFIDENTIAL THE INFORMATION CONTAINED IN THIS DRAWING IS THE SOLE PROPERTY OF CALHOUN SUPERSTRUCTURE. ANY REPRODUCTION IN PART OR AS A WHOLE WITHOUT THE WRITTEN PERMISSION OF CALHOUN SUPERSTRUCTURE IS PROHIBITED			SIZE <b>D</b>	DWG. NO. <b>CC-52</b>	SCALE: N T S SHEET 1 OF 1
No.	DESCRIPTION	DATE			
REVISION / ISSUE					